

NH Solid Links

ACCESSORIES FOR FUSES & FUSE SYSTEMS

IEC SOLID LINKS UL NEUTRAL LINKS



NH solid links have a standard design. The current carrying parts are made of silver plated copper. It's also possible to get nickel plated design on request.

The synthetic parts for insulated tags are in accordance with VDE 0636/DIN 57635.

FEATURES & BENEFITS

- provides safe and visible means of isolation in a network
- higher current carrying capacity of equipment due to low power dissipation of the copper solid links
- safe and easy operation when used with NH-fuse handle
- can be used as switch disconnecter in combination with NH-switches and NH-bases
- dimensions equivalent to those of NH-fuse links: sizes 000 to 4/4a
- available in two versions: with live and insulated tags

APPLICATIONS

- NH-solid links can be used for switching and isolating in conjunction with NH-fuse switch disconnectors and NH-fuse bases instead of NH-fuse links.

STANDARDS

- VDE 0636 / DIN 57635



NH Solid Links

PRODUCT RANGE

Solid links with insulated tags



NH00DKNIFESGP



NH1DKNIFESGP



NH2DKNIFESGP



NH3DKNIFESGP

Catalog number	Item number	Size	Rated current I _n	Package	Weight
NH00DKNIFESGP	W216058	000/00	160 A	12	70 g
NH0DKNIFESGP	J217082	0	160 A	12	0.1 kg
NH1DKNIFESGP	Y218107	1	250 A	12	0.13 kg
NH2DKNIFESGP	E200656	2	400 A	6	0.21 kg
NH3DKNIFESGP	J201718	3	630 A	6	0.27 kg

NH Solid Links

PRODUCT RANGE

Solid links with live tags



NH00NEUTRAL



NH0NEUTRAL



NH1NEUTRAL



NH2NEUTRAL



NH3NEUTRAL



NH4NEUTRAL

Catalog number	Item number	Size	Rated current I _n	Package	Weight
NH00NEUTRAL	Z218269	000/00	160 A	15	80 g
NH0NEUTRAL	Z219304	0	160 A	15	0.1 kg
NH1NEUTRAL	A219834	1	250 A	9	0.15 kg
NH2NEUTRAL	N222514	2	400 A	6	0.23 kg
NH3NEUTRAL	E223035	3	630 A	6	0.27 kg
NH4NEUTRAL	L200823	4	1250 A	1	0.66 kg
NH4ADKNIFE	A214061	4a	1250 A	1	0.67 kg

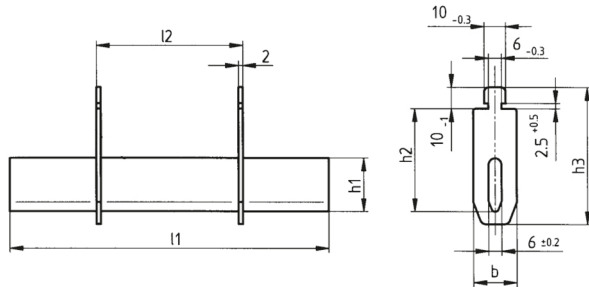
Special solid links

Catalog number	Item number	Size	Rated current I _n	Design	Package	Weight
33SZSM1	N1043844	3	1000 A	special solid link size 3, 1000 A, larger cross section, nickel plated copper	1	0.39 kg
33SZSM2	D1046342	3	1000 A	special solid link for MULTIVERT® size 3, 1000A, larger cross section, nickel plated copper	1	0.39 kg

NH Solid Links

DIMENSIONS

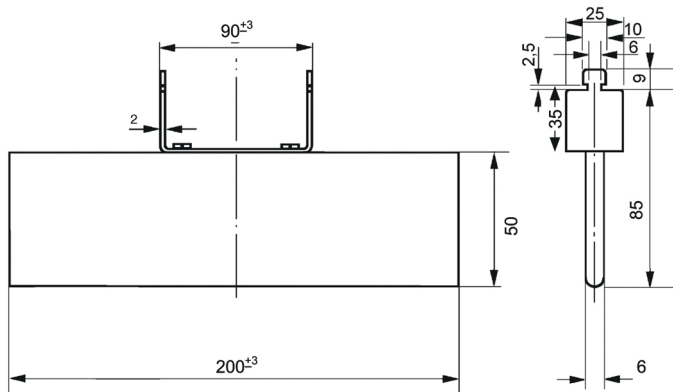
NH-solid links with live tags size 00, 1, 2 and 3



Rated current	Size	b	h1	h2 ±0,8	h3	l1 min	l2
160 A	00	17	15	35	49	77	49±1,5
160 A	0	17	15	35	49	122.5	68±1,5/-3
250 A	1	20	20	40	56	132.5	68±2,5
400 A	2	20	25	48	64	147.5	68±2,5
630 A	3	20	32	60	76	147.5	68±2,5

Dimensions in mm

NH-solid links with live tags size 4a 1250A/1600A

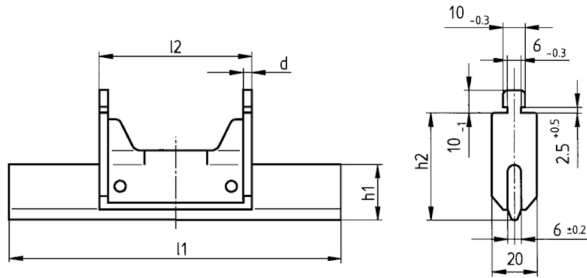


Dimensions in mm

NH Solid Links

DIMENSIONS

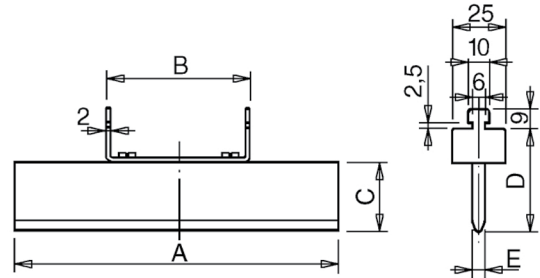
NH-solid links with insulated tags size 00, 0, 1, 2 and 3



Rated current	Size	d	h1	h2 ±0,8	l1 min	l2
160 A	00	3	15	35	77	49±1,5
160 A	0	3	15	35	122.5	68±1,5/-3
250 A	1	3	20	40	132.5	68±2,5
400 A	2	3,8	25	48	147.5	68±2,5
630 A	3	3,8	32	60	147.5	68±2,5

Dimensions in mm

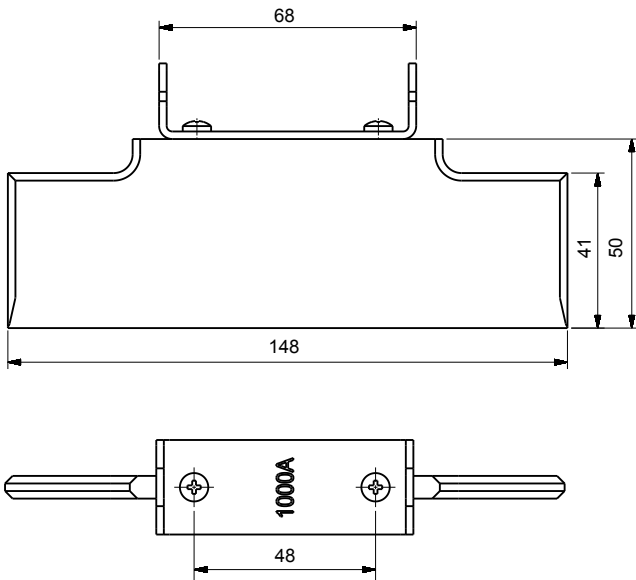
NH-special solid links with live tags size 3 - 1000A (larger cross section)



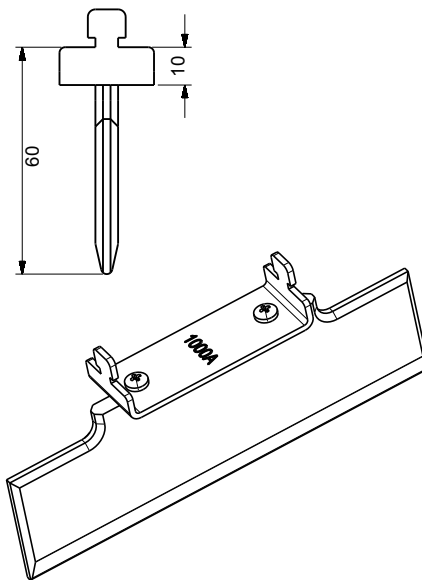
Rated current	Size	A	B	C	D	E
1000 A	3	150	67	50	60	6

Dimensions in mm

Special Solid Link for MULTIVERT® size 3



Dimensions in mm



MERSEN reserves the right to change, update or correct, without notice, any information contained in this datasheet.