

# NH fuse-links gG 500VAC

double indicator/live gripping-lugs size 000, 00, 0, 1, 2, 3

## LOW VOLTAGE IEC FUSES

### IEC NH FUSE-LINKS



The NH system is classified among plug-in fuse systems and is composed of:

- fuse-base (possibly including terminal covers and phase barriers)
- fuse-link with blade contact
- fuse-link replacement device (LV HRC fuse puller)

Since the design of this system cannot guarantee non-interchangeability of rated current it must be handled by a qualified professional.

Type “gG” NH fuse-links are full range breaking capacity fuse-links and are used to protect cables and equipment. They can interrupt any current surge, from the lowest fusing current up to their breaking capacity, and so can be used alone as protection. They also protect electrical devices and industrial set-ups from the electrodynamic effects of very high short-circuit currents.

## TECHNICAL DATA OVERVIEW

|                      |                       |
|----------------------|-----------------------|
| Voltage AC           | 500 VAC               |
| Voltage DC           | 250 VDC               |
| Ampere Range (A)     | 2 ... 800 A           |
| Size per Standard    | 000, 00, 0, 1, 2, 3   |
| Speed/Characteristic | gG                    |
| I.R. AC (IEC)        | 120 kA                |
| I.R. DC (IEC)        | 80 kA                 |
| Body Material        | ceramic               |
| Contact Materials    | copper, silver-plated |

## FEATURES & BENEFITS

- Dimensions according to DIN 43 620 parts 1 to 4
- Non-isolated gripping lugs
- Double indicator
- Lead free contact blades
- 0% cadmium

## APPLICATIONS

- gG: general purpose cable and line protection

## STANDARDS

- VDE 0636 Part 201
- IEC 60269-1 and -2



# NH fuse-links gG 500VAC

double indicator/live gripping-lugs size 000, 00, 0, 1, 2, 3

## PRODUCT RANGE



NH000GG50V2

### Size 000 gG 500VAC

| Catalog number | Item number | Rated voltage AC (IEC) | Rated voltage DC (IEC) | Rated current I <sub>n</sub> | Power dissipation at I <sub>n</sub> | Package | Weight  |
|----------------|-------------|------------------------|------------------------|------------------------------|-------------------------------------|---------|---------|
| NH000GG50V2    | B211946     | 500 V                  | 250 V                  | 2 A                          | 1.9 W                               | 3       | 0.13 kg |
| NH000GG50V4    | M212462     | 500 V                  | 250 V                  | 4 A                          | 1.5 W                               | 3       | 0.13 kg |
| NH000GG50V6    | D213995     | 500 V                  | 250 V                  | 6 A                          | 1.6 W                               | 3       | 0.13 kg |
| NH000GG50V10   | B219651     | 500 V                  | 250 V                  | 10 A                         | 1.1 W                               | 3       | 0.13 kg |
| NH000GG50V16   | K222097     | 500 V                  | 250 V                  | 16 A                         | 1.8 W                               | 9       | 0.13 kg |
| NH000GG50V20   | A222847     | 500 V                  | 250 V                  | 20 A                         | 2.3 W                               | 9       | 0.13 kg |
| NH000GG50V25   | E201185     | 500 V                  | 250 V                  | 25 A                         | 2.4 W                               | 9       | 0.13 kg |
| NH000GG50V32   | Z211438     | 500 V                  | 250 V                  | 32 A                         | 3.1 W                               | 9       | 0.13 kg |
| NH000GG50V35   | C211947     | 500 V                  | 250 V                  | 35 A                         | 3 W                                 | 9       | 0.13 kg |
| NH000GG50V40   | N212463     | 500 V                  | 250 V                  | 40 A                         | 3.7 W                               | 9       | 0.13 kg |
| NH000GG50V50   | T212974     | 500 V                  | 250 V                  | 50 A                         | 4.1 W                               | 9       | 0.13 kg |
| NH000GG50V63   | E213996     | 500 V                  | 250 V                  | 63 A                         | 5.4 W                               | 9       | 0.13 kg |
| NH000GG50V80   | Y216543     | 500 V                  | 250 V                  | 80 A                         | 6.5 W                               | 9       | 0.13 kg |
| NH000GG50V100  | B219122     | 500 V                  | 250 V                  | 100 A                        | 7.5 W                               | 9       | 0.13 kg |



NH00GG50V125

### Size 00 gG 500VAC

| Catalog number | Item number | Rated voltage AC (IEC) | Rated voltage DC (IEC) | Rated current I <sub>n</sub> | Power dissipation at I <sub>n</sub> | Package | Weight |
|----------------|-------------|------------------------|------------------------|------------------------------|-------------------------------------|---------|--------|
| NH00GG50V125   | R201863     | 500 V                  | 250 V                  | 125 A                        | 10 W                                | 3       | 0.2 kg |
| NH00GG50V160   | P211084     | 500 V                  | 250 V                  | 160 A                        | 11.3 W                              | 3       | 0.2 kg |



NH0GG50V6

### Size 0 gG 500VAC

| Catalog number | Item number | Rated voltage AC (IEC) | Rated voltage DC (IEC) | Rated current I <sub>n</sub> | Power dissipation at I <sub>n</sub> | Package | Weight  |
|----------------|-------------|------------------------|------------------------|------------------------------|-------------------------------------|---------|---------|
| NH0GG50V6      | H213148     | 500 V                  | 250 V                  | 6 A                          | 1.6 W                               | 3       | 0.27 kg |
| NH0GG50V10     | G214159     | 500 V                  | 250 V                  | 10 A                         | 1.1 W                               | 3       | 0.27 kg |
| NH0GG50V16     | Q215179     | 500 V                  | 250 V                  | 16 A                         | 1.8 W                               | 3       | 0.27 kg |
| NH0GG50V20     | R215686     | 500 V                  | 250 V                  | 20 A                         | 2.3 W                               | 3       | 0.27 kg |
| NH0GG50V25     | Y216198     | 500 V                  | 250 V                  | 25 A                         | 2.4 W                               | 3       | 0.27 kg |
| NH0GG50V32     | W216702     | 500 V                  | 250 V                  | 32 A                         | 3.1 W                               | 3       | 0.27 kg |
| NH0GG50V35     | J217220     | 500 V                  | 250 V                  | 35 A                         | 3 W                                 | 3       | 0.27 kg |
| NH0GG50V40     | P217731     | 500 V                  | 250 V                  | 40 A                         | 3.7 W                               | 3       | 0.27 kg |
| NH0GG50V50     | Z218246     | 500 V                  | 250 V                  | 50 A                         | 4.1 W                               | 3       | 0.27 kg |
| NH0GG50V63     | N218765     | 500 V                  | 250 V                  | 63 A                         | 6.6 W                               | 3       | 0.27 kg |
| NH0GG50V80     | C219284     | 500 V                  | 250 V                  | 80 A                         | 8 W                                 | 3       | 0.27 kg |
| NH0GG50V100    | D219814     | 500 V                  | 250 V                  | 100 A                        | 9.4 W                               | 3       | 0.27 kg |
| NH0GG50V125    | P222492     | 500 V                  | 250 V                  | 125 A                        | 11.8 W                              | 3       | 0.27 kg |
| NH0GG50V160    | F223013     | 500 V                  | 250 V                  | 160 A                        | 14.6 W                              | 3       | 0.27 kg |
| NH0GG50V200    | C229611     | 500 V                  | 250 V                  | 200 A                        | 18.1 W                              | 3       | 0.27 kg |
| NH0GG50V224    | D229612     | 500 V                  | 250 V                  | 224 A                        | 19.2 W                              | 3       | 0.27 kg |
| NH0GG50V250    | E229613     | 500 V                  | 250 V                  | 250 A                        | 20.3 W                              | 3       | 0.27 kg |

MERSEN reserves the right to change, update or correct, without notice, any information contained in this datasheet.

# NH fuse-links gG 500VAC

double indicator/live gripping-lugs size 000, 00, 0, 1, 2, 3

## PRODUCT RANGE



NH1GG50V16

### Size 1 gG 500VAC

| Catalog number | Item number | Rated voltage AC (IEC) | Rated voltage DC (IEC) | Rated current I <sub>n</sub> | Power dissipation at I <sub>n</sub> | Width   | Package | Weight  |
|----------------|-------------|------------------------|------------------------|------------------------------|-------------------------------------|---------|---------|---------|
| NH1GG50V16     | M200801     | 500 V                  | 250 V                  | 16 A                         | 1.8 W                               | 29.5 mm | 3       | 0.28 kg |
| NH1GG50V20     | C201344     | 500 V                  | 250 V                  | 20 A                         | 2.3 W                               | 29.5 mm | 3       | 0.28 kg |
| NH1GG50V25     | N201860     | 500 V                  | 250 V                  | 25 A                         | 2.4 W                               | 29.5 mm | 3       | 0.28 kg |
| NH1GG50V32     | L211081     | 500 V                  | 250 V                  | 32 A                         | 3.1 W                               | 29.5 mm | 3       | 0.28 kg |
| NH1GG50V35     | A211600     | 500 V                  | 250 V                  | 35 A                         | 3 W                                 | 29.5 mm | 3       | 0.28 kg |
| NH1GG50V40     | Y212633     | 500 V                  | 250 V                  | 40 A                         | 3.7 W                               | 29.5 mm | 3       | 0.28 kg |
| NH1GG50V50     | B213648     | 500 V                  | 250 V                  | 50 A                         | 4.1 W                               | 29.5 mm | 3       | 0.28 kg |
| NH1GG50V63     | L214669     | 500 V                  | 250 V                  | 63 A                         | 6.6 W                               | 29.5 mm | 3       | 0.28 kg |
| NH1GG50V80     | S215687     | 500 V                  | 250 V                  | 80 A                         | 8 W                                 | 29.5 mm | 3       | 0.28 kg |
| NH1GG50V100    | X216703     | 500 V                  | 250 V                  | 100 A                        | 9.4 W                               | 29.5 mm | 3       | 0.28 kg |
| NH1GG50V125    | V236044     | 500 V                  | 250 V                  | 125 A                        | 11.8 W                              | 39.5 mm | 3       | 0.3 kg  |
| NH1GG50V160    | A218247     | 500 V                  | 250 V                  | 160 A                        | 14.6 W                              | 39.5 mm | 3       | 0.3 kg  |
| NH1GG50V200    | P218766     | 500 V                  | 250 V                  | 200 A                        | 18 W                                | 39.5 mm | 3       | 0.3 kg  |
| NH1GG50V224    | D219285     | 500 V                  | 250 V                  | 224 A                        | 19 W                                | 39.5 mm | 3       | 0.3 kg  |
| NH1GG50V250    | E219815     | 500 V                  | 250 V                  | 250 A                        | 20 W                                | 39.5 mm | 3       | 0.3 kg  |
| NH1GG50V315    | Q228519     | 500 V                  | 250 V                  | 315 A                        | 20.5 W                              | 39.5 mm | 3       | 0.42 kg |
| NH1GG50V355    | R228520     | 500 V                  | 250 V                  | 355 A                        | 23.7 W                              | 39.5 mm | 3       | 0.42 kg |



NH2GG50V63

### Size 2 gG 500VAC

| Catalog number | Item number | Rated voltage AC (IEC) | Rated voltage DC (IEC) | Rated current I <sub>n</sub> | Power dissipation at I <sub>n</sub> | Width   | Package | Weight  |
|----------------|-------------|------------------------|------------------------|------------------------------|-------------------------------------|---------|---------|---------|
| NH2GG50V25     | N200802     | 500 V                  | 250 V                  | 25 A                         | 2.4 W                               | 39.5 mm | 3       | 0.42 kg |
| NH2GG50V32     | D201345     | 500 V                  | 250 V                  | 32 A                         | 3.1 W                               | 39.5 mm | 3       | 0.42 kg |
| NH2GG50V35     | P201861     | 500 V                  | 250 V                  | 35 A                         | 3 W                                 | 39.5 mm | 3       | 0.42 kg |
| NH2GG50V40     | M211082     | 500 V                  | 250 V                  | 40 A                         | 3.7 W                               | 39.5 mm | 3       | 0.42 kg |
| NH2GG50V50     | B211601     | 500 V                  | 250 V                  | 50 A                         | 4.1 W                               | 39.5 mm | 3       | 0.42 kg |
| NH2GG50V63     | Z212634     | 500 V                  | 250 V                  | 63 A                         | 6.8 W                               | 39.5 mm | 3       | 0.42 kg |
| NH2GG50V80     | C213649     | 500 V                  | 250 V                  | 80 A                         | 8.3 W                               | 39.5 mm | 3       | 0.42 kg |
| NH2GG50V100    | M214670     | 500 V                  | 250 V                  | 100 A                        | 10.7 W                              | 39.5 mm | 3       | 0.42 kg |
| NH2GG50V125    | T215688     | 500 V                  | 250 V                  | 125 A                        | 12.2 W                              | 39.5 mm | 3       | 0.42 kg |
| NH2GG50V160    | Y216704     | 500 V                  | 250 V                  | 160 A                        | 15 W                                | 39.5 mm | 3       | 0.42 kg |
| NH2GG50V200    | R217733     | 500 V                  | 250 V                  | 200 A                        | 18.5 W                              | 39.5 mm | 3       | 0.42 kg |
| NH2GG50V224    | Q218767     | 500 V                  | 250 V                  | 224 A                        | 19.2 W                              | 39.5 mm | 3       | 0.42 kg |
| NH2GG50V250    | R222494     | 500 V                  | 250 V                  | 250 A                        | 20.6 W                              | 39.5 mm | 3       | 0.42 kg |
| NH2GG50V300    | P200803     | 500 V                  | 250 V                  | 300 A                        | 21 W                                | 51 mm   | 3       | 0.64 kg |
| NH2GG50V315    | E201346     | 500 V                  | 250 V                  | 315 A                        | 25 W                                | 51 mm   | 3       | 0.64 kg |
| NH2GG50V355    | Q201862     | 500 V                  | 250 V                  | 355 A                        | 31.5 W                              | 51 mm   | 3       | 0.64 kg |
| NH2GG50V400    | N211083     | 500 V                  | 250 V                  | 400 A                        | 32 W                                | 51 mm   | 3       | 0.64 kg |
| NH2GG50V425    | S228521     | 500 V                  | 250 V                  | 425 A                        | 32.2 W                              | 51 mm   | 3       | 0.64 kg |
| NH2GG50V500    | T228522     | 500 V                  | 250 V                  | 500 A                        | 35.6 W                              | 51 mm   | 3       | 0.64 kg |

MERSEN reserves the right to change, update or correct, without notice, any information contained in this datasheet.

# NH fuse-links gG 500VAC

double indicator/live gripping-lugs size 000, 00, 0, 1, 2, 3

## PRODUCT RANGE

### Size 3 gG 500VAC



NH3GG50V250



NH3GG50V800

| Catalog number | Item number | Rated voltage AC (IEC) | Rated voltage DC (IEC) | Rated current I <sub>n</sub> | Power dissipation at I <sub>n</sub> | Width | Package | Weight  |
|----------------|-------------|------------------------|------------------------|------------------------------|-------------------------------------|-------|---------|---------|
| NH3GG50V224    | V233744     | 500 V                  | 250 V                  | 224 A                        | 20 W                                | 51 mm | 1       | 0.65 kg |
| NH3GG50V250    | C211602     | 500 V                  | 250 V                  | 250 A                        | 21.1 W                              | 51 mm | 1       | 0.65 kg |
| NH3GG50V300    | A212635     | 500 V                  | 250 V                  | 300 A                        | 20 W                                | 51 mm | 1       | 0.65 kg |
| NH3GG50V315    | L213151     | 500 V                  | 250 V                  | 315 A                        | 25 W                                | 51 mm | 1       | 0.65 kg |
| NH3GG50V355    | K214162     | 500 V                  | 250 V                  | 355 A                        | 32 W                                | 51 mm | 1       | 0.65 kg |
| NH3GG50V400    | T215182     | 500 V                  | 250 V                  | 400 A                        | 34 W                                | 51 mm | 1       | 1.05 kg |
| NH3GG50V425    | B216201     | 500 V                  | 250 V                  | 425 A                        | 34 W                                | 70 mm | 1       | 1.05 kg |
| NH3GG50V450    | Z216705     | 500 V                  | 250 V                  | 450 A                        | 38 W                                | 70 mm | 1       | 1.05 kg |
| NH3GG50V500    | M217223     | 500 V                  | 250 V                  | 500 A                        | 43 W                                | 70 mm | 1       | 1.05 kg |
| NH3GG50V630    | S217734     | 500 V                  | 250 V                  | 630 A                        | 43.1 W                              | 70 mm | 1       | 1.05 kg |
| NH3GG50V800    | V228523     | 500 V                  | 250 V                  | 800 A                        | 53.2 W                              | 70 mm | 1       | 1.05 kg |

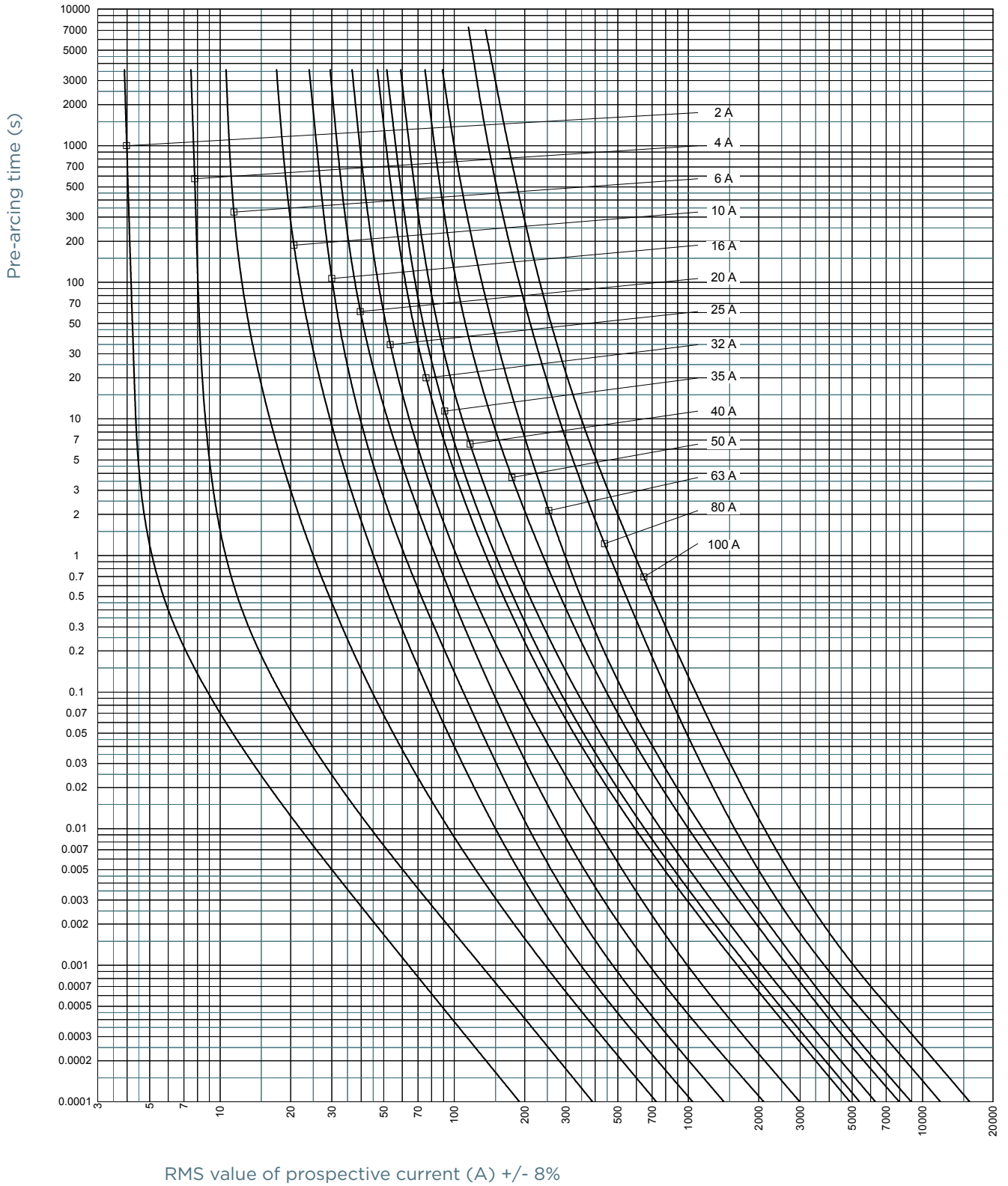
## TECHNICAL DATA

|                            | Size 000         | Size 00          | Size 0           | Size 1           | Size 2           | Size 3           |
|----------------------------|------------------|------------------|------------------|------------------|------------------|------------------|
| Rated current              | 2 ... 100 A      | 125 ... 160 A    | 6 ... 250 A      | 16 ... 355 A     | 25 ... 500 A     | 224 ... 800 A    |
| Rated breaking capacity AC | 120 kA           | 120 kA           | 120 kA           | 120 kA           | 120 kA           | 120 kA           |
| Rated voltage AC           | 500 V            | 500 V            | 500 V            | 500 V            | 500 V            | 500 V            |
| Rated voltage DC           | 250 V            | 250 V            | 250 V            | 250 V            | 250 V            | 250 V            |
| Indication System          | double indicator | double indicator | double indicator | double indicator | double indicator | double indicator |
| Width                      | 21 mm            | 30 mm            | 30 mm            | 40 mm            | 52 mm            | 72 mm            |

MERSEN reserves the right to change, update or correct, without notice, any information contained in this datasheet.

## TIME CURRENT CHARACTERISTIC CURVES

Size 000



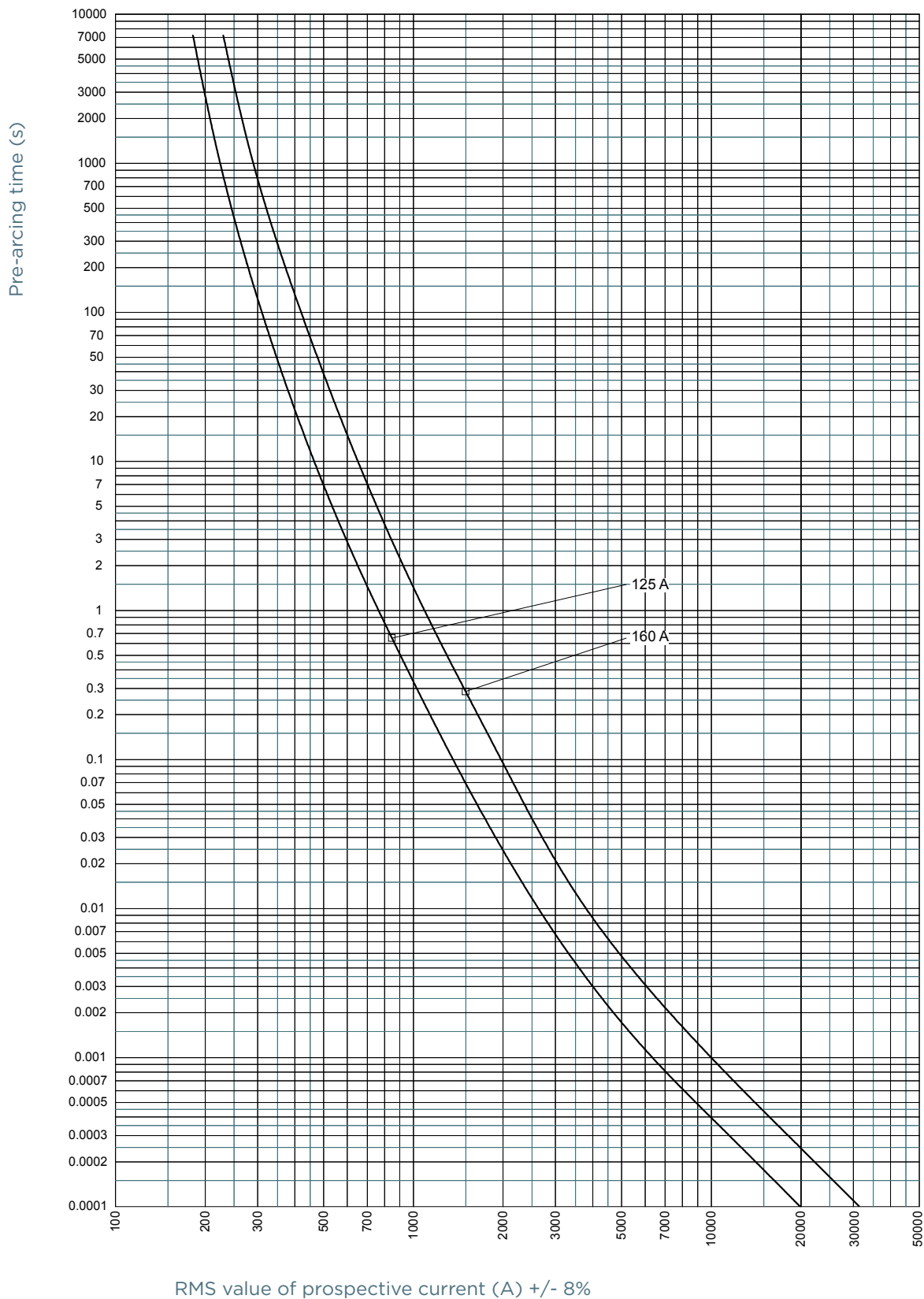
MERSEN reserves the right to change, update or correct, without notice, any information contained in this datasheet.

# NH fuse-links gG 500VAC

double indicator/live gripping-lugs size 000, 00, 0, 1, 2, 3

## TIME CURRENT CHARACTERISTIC CURVES

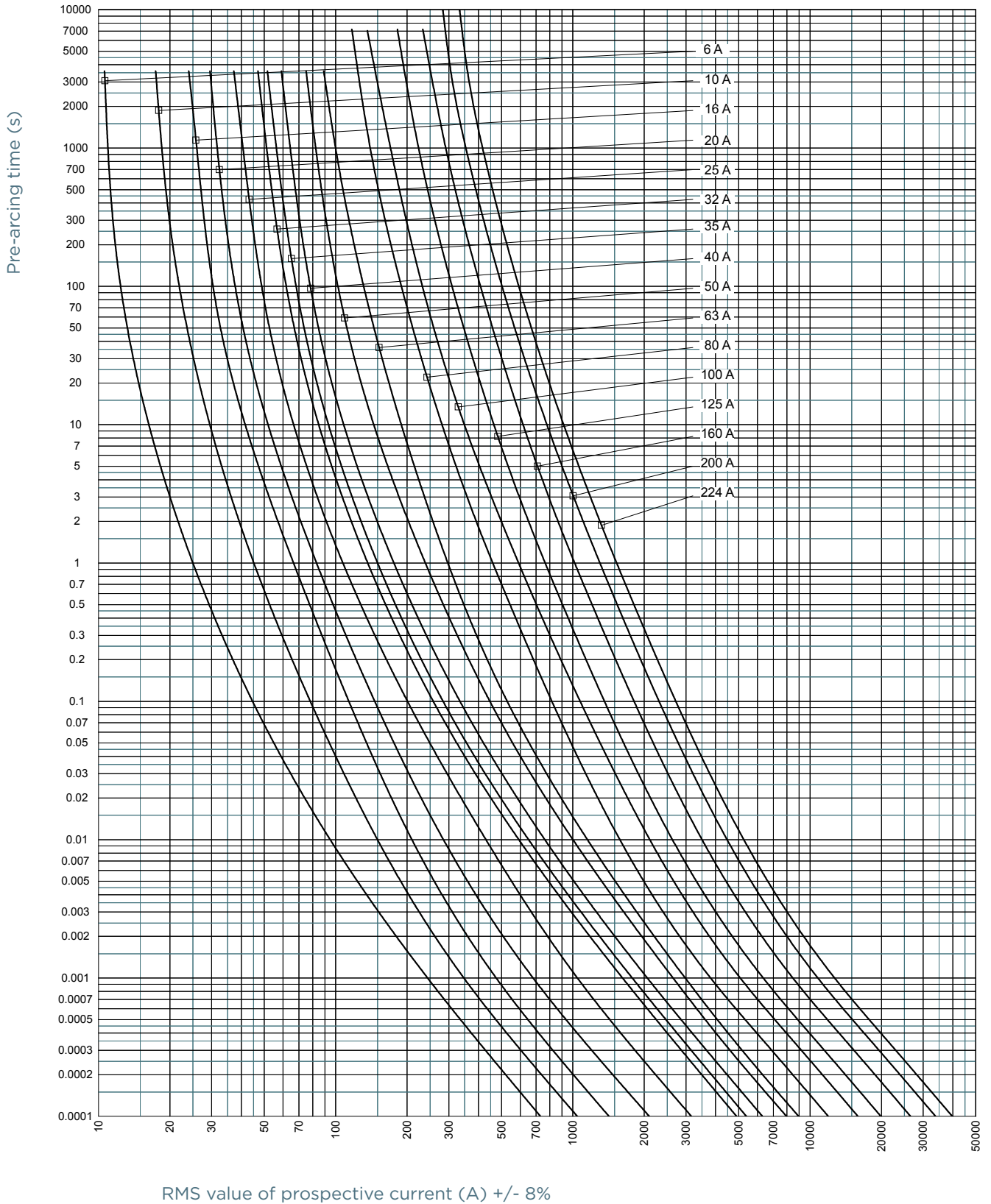
Size 00



MERSEN reserves the right to change, update or correct, without notice, any information contained in this datasheet.

## TIME CURRENT CHARACTERISTIC CURVES

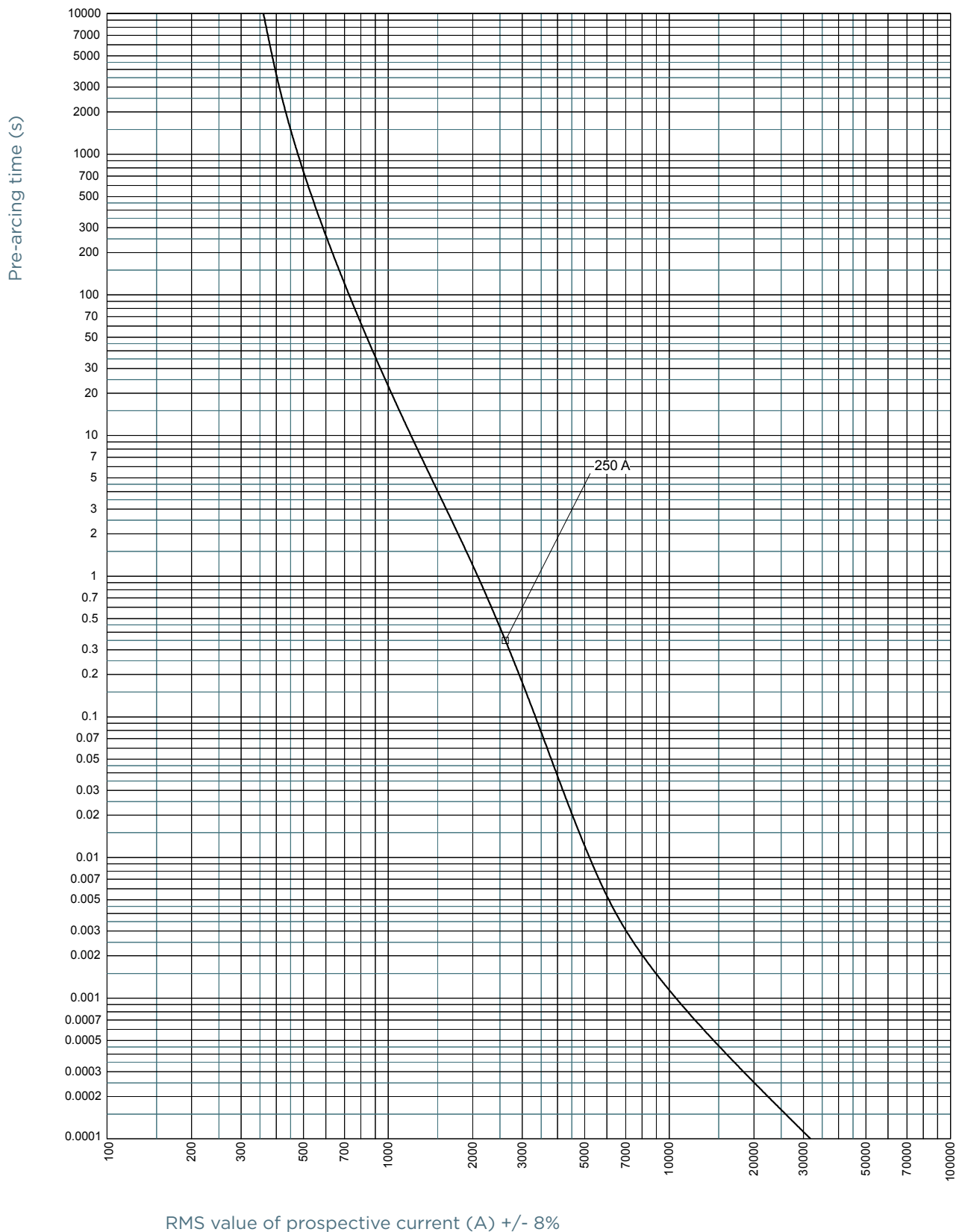
Size 0



MERSEN reserves the right to change, update or correct, without notice, any information contained in this datasheet.

## TIME CURRENT CHARACTERISTIC CURVES

### Size 0

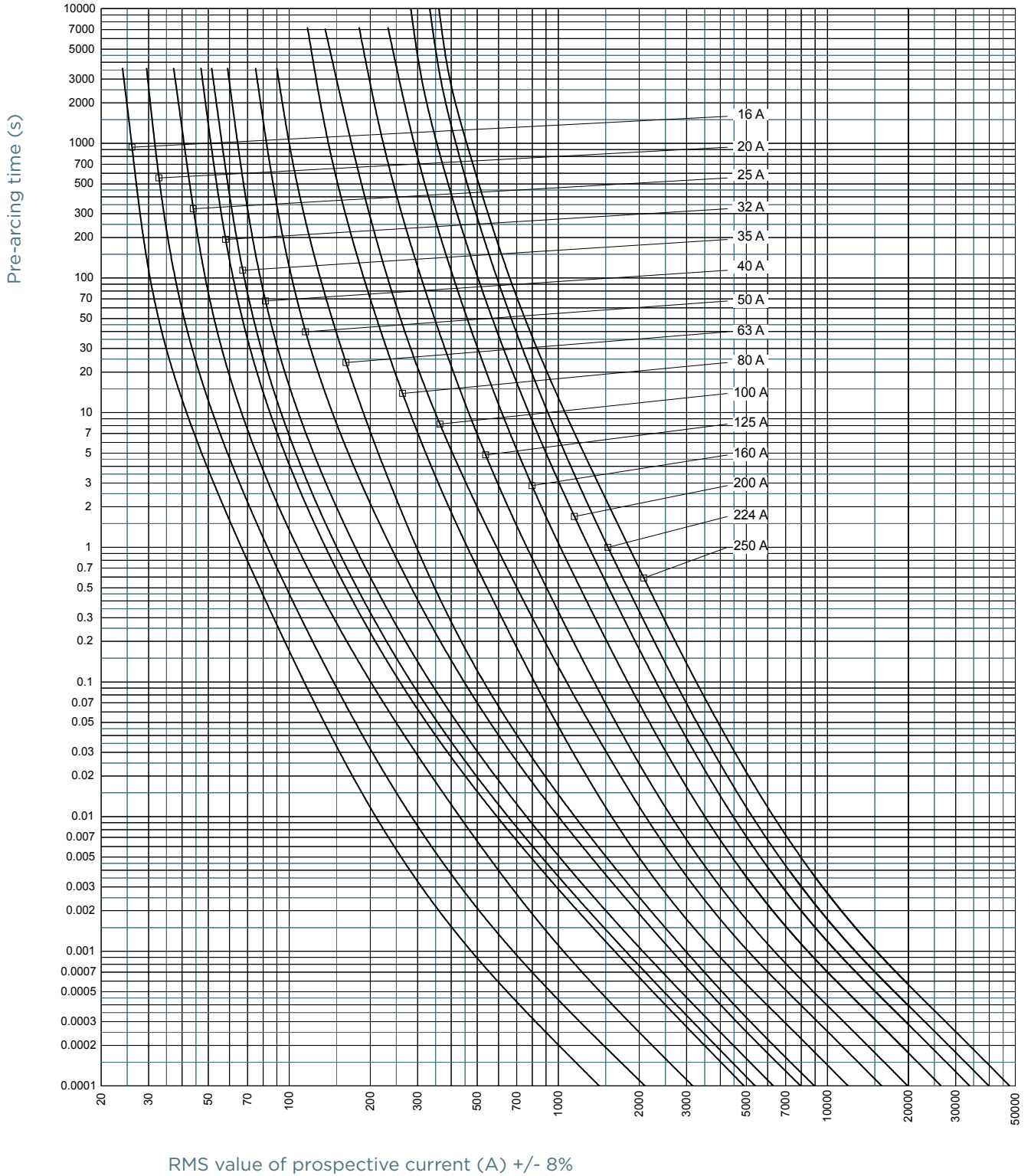


MERSEN reserves the right to change, update or correct, without notice, any information contained in this datasheet.



## TIME CURRENT CHARACTERISTIC CURVES

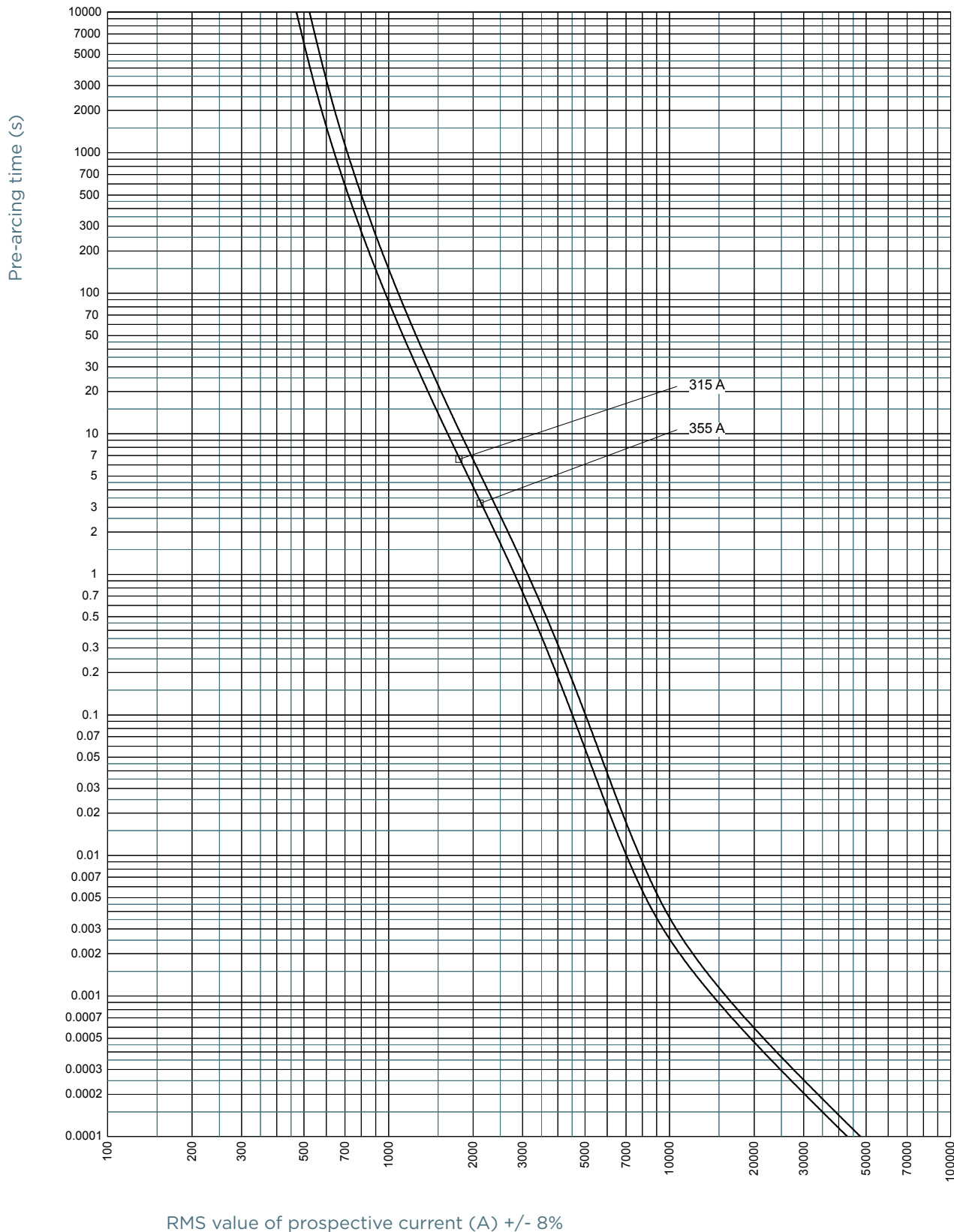
Size 1



MERSEN reserves the right to change, update or correct, without notice, any information contained in this datasheet.

## TIME CURRENT CHARACTERISTIC CURVES

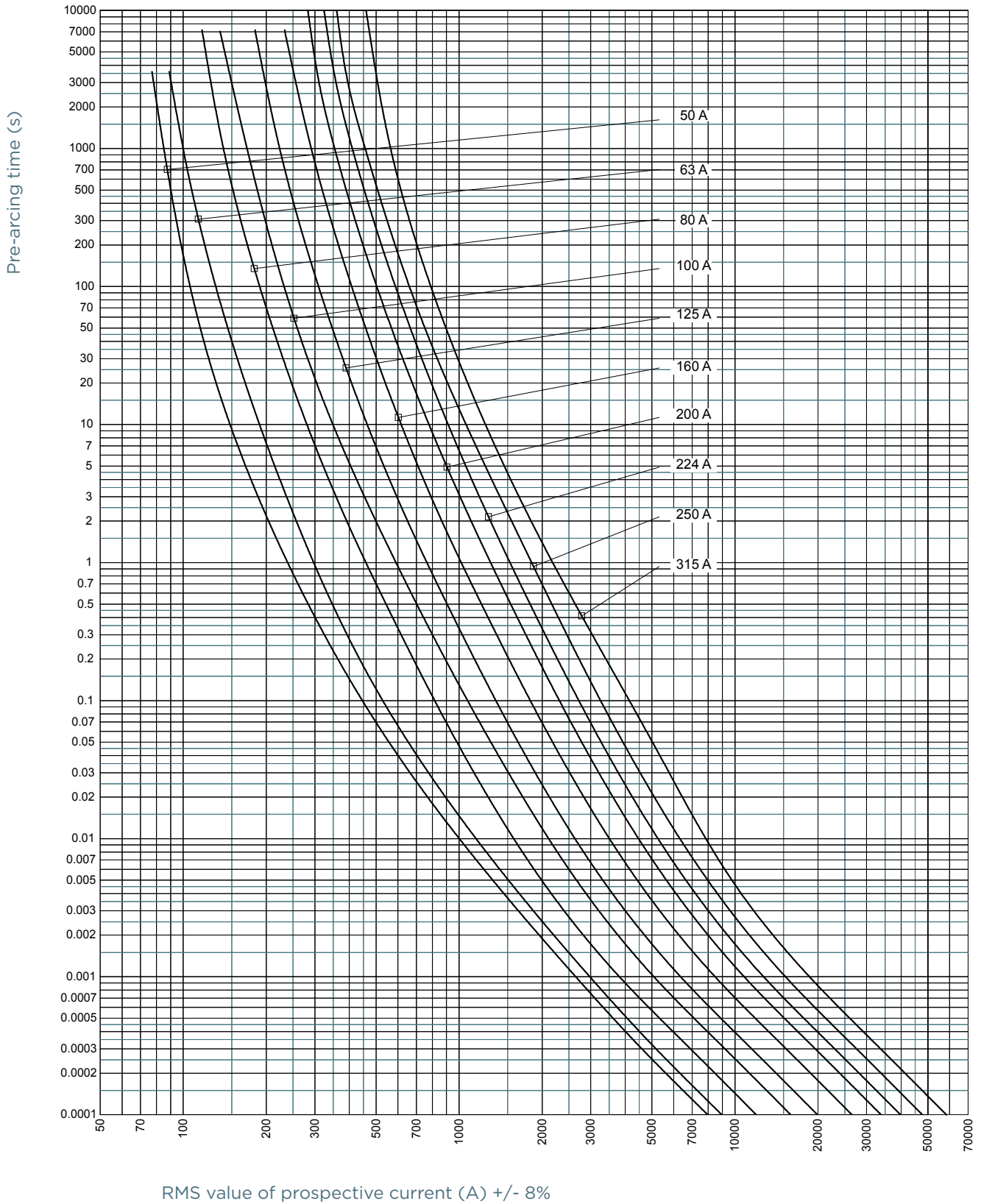
### Size 1



MERSEN reserves the right to change, update or correct, without notice, any information contained in this datasheet.

## TIME CURRENT CHARACTERISTIC CURVES

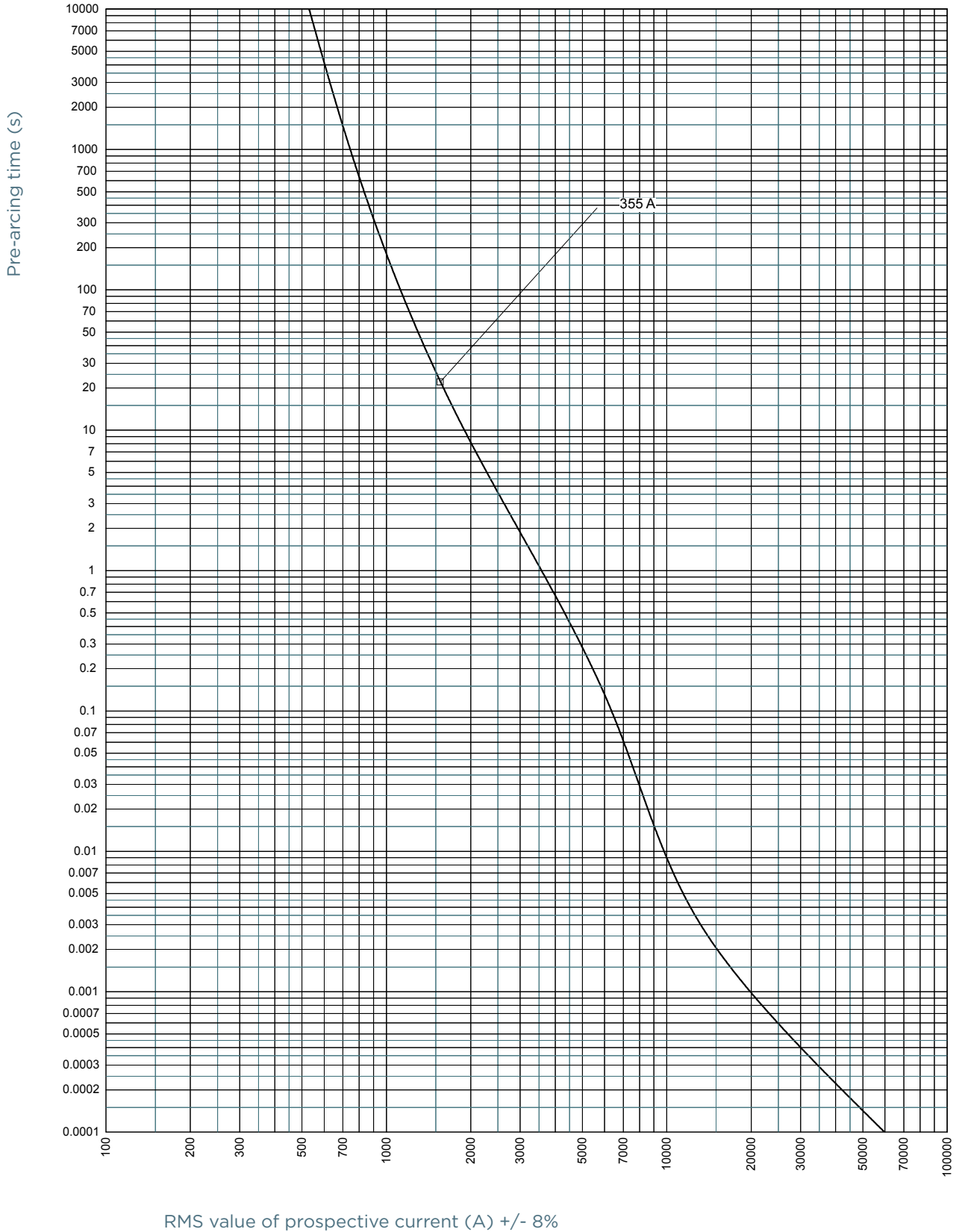
Size 2



MERSEN reserves the right to change, update or correct, without notice, any information contained in this datasheet.

## TIME CURRENT CHARACTERISTIC CURVES

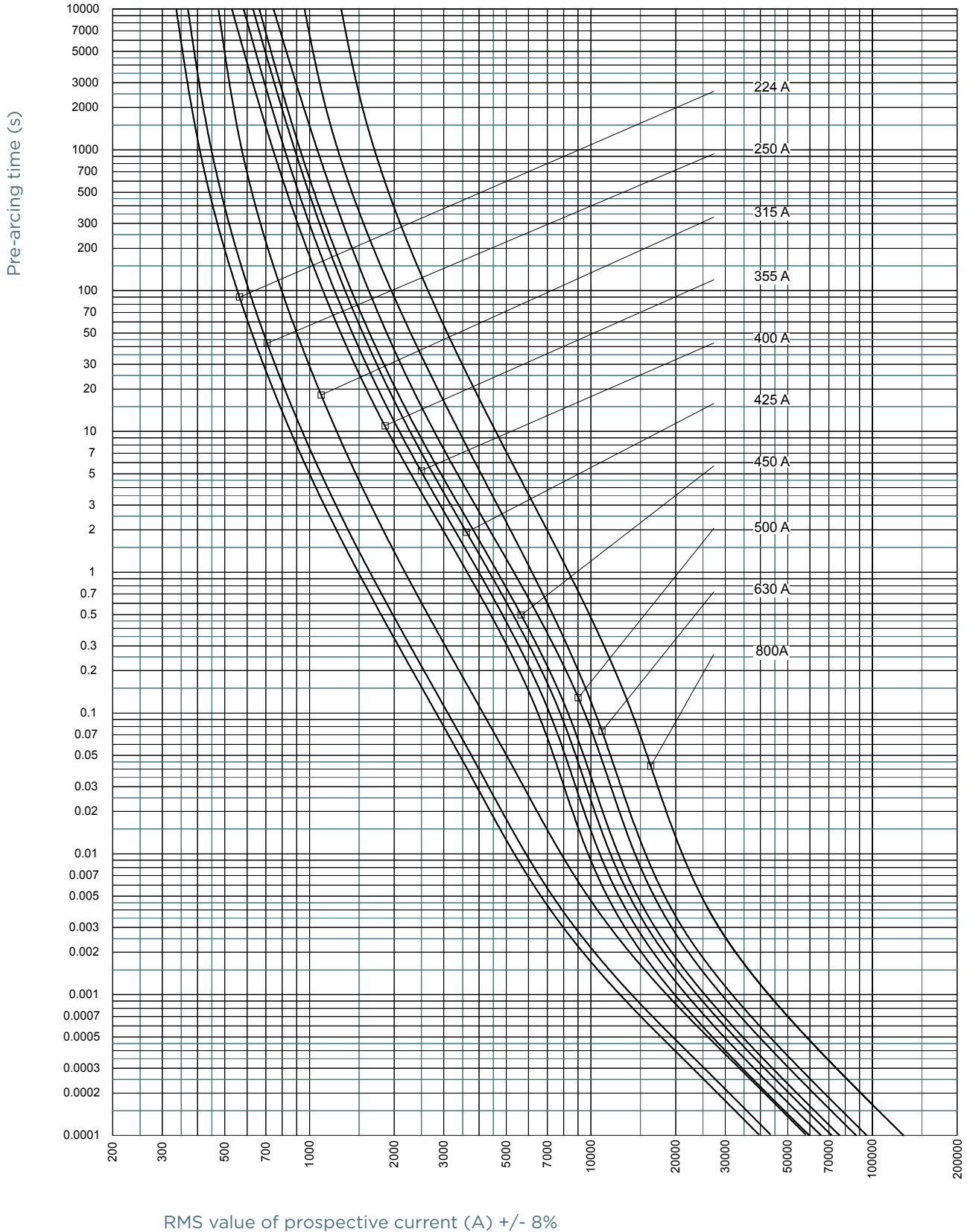
Size 2



MERSEN reserves the right to change, update or correct, without notice, any information contained in this datasheet.

## TIME CURRENT CHARACTERISTIC CURVES

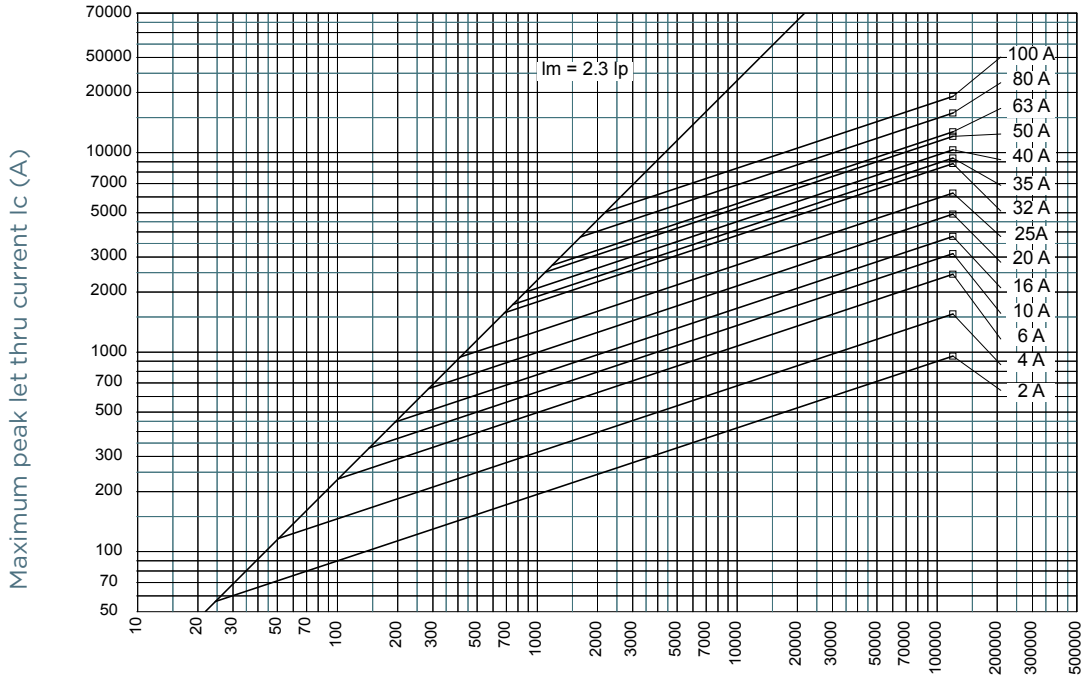
Size 3



MERSEN reserves the right to change, update or correct, without notice, any information contained in this datasheet.

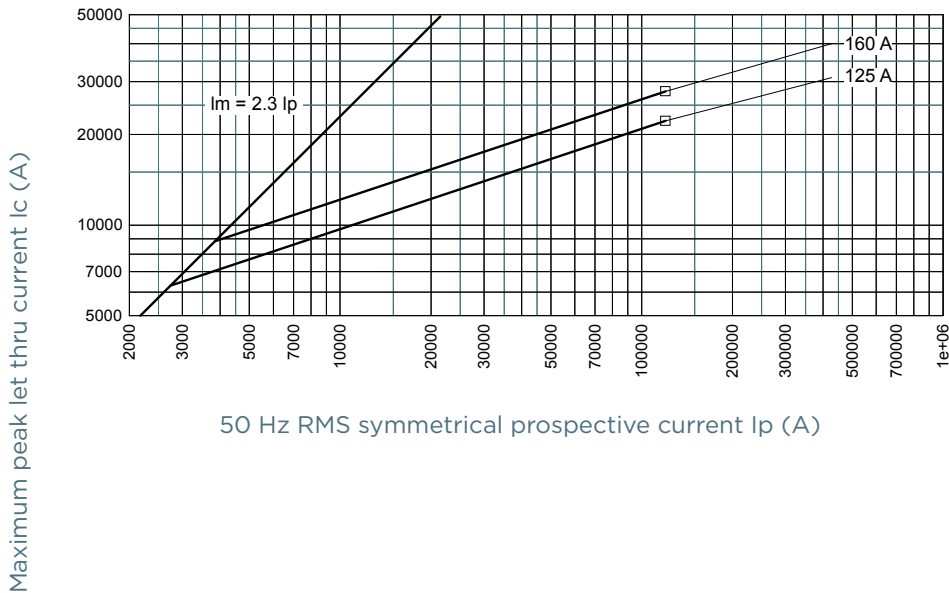
## CUT-OFF CURRENT CHARACTERISTIC

### Size 000



50 Hz RMS symmetrical prospective current  $I_p$  (A)

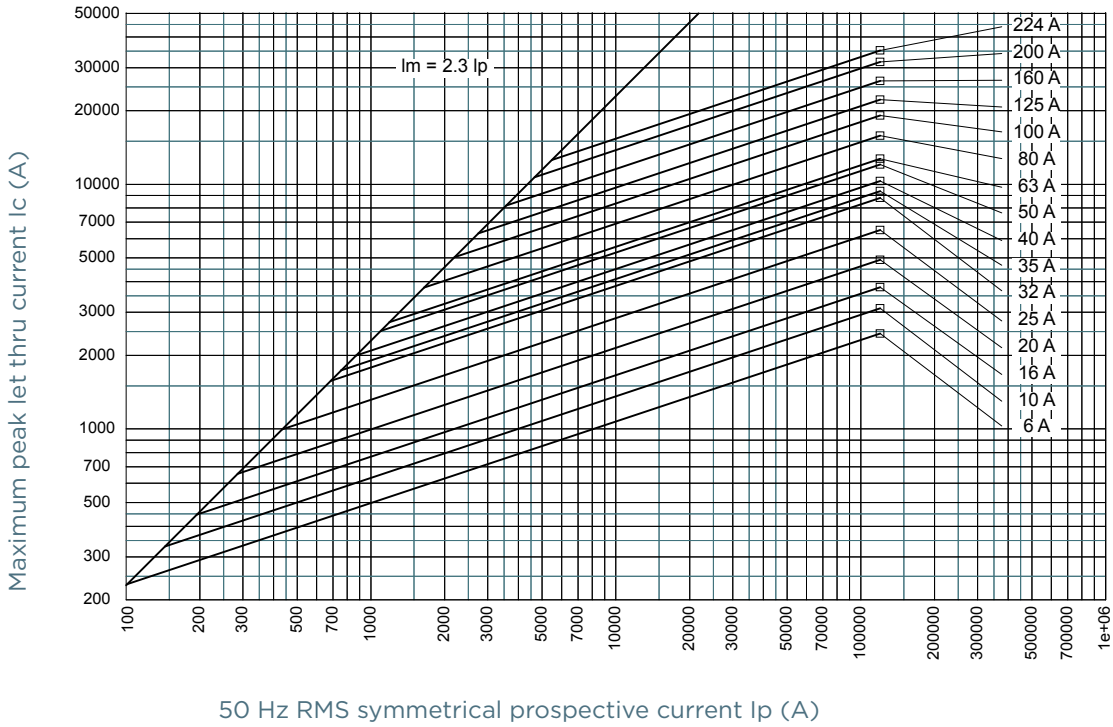
### Size 00



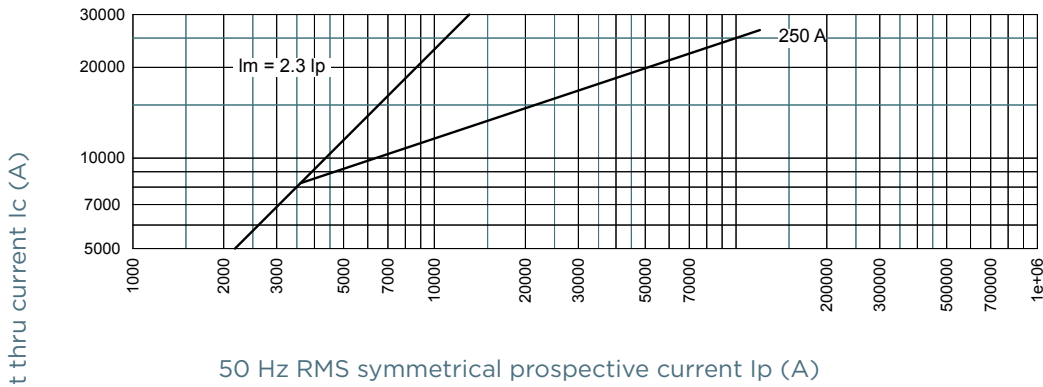
50 Hz RMS symmetrical prospective current  $I_p$  (A)

## CUT-OFF CURRENT CHARACTERISTIC

### Size 0

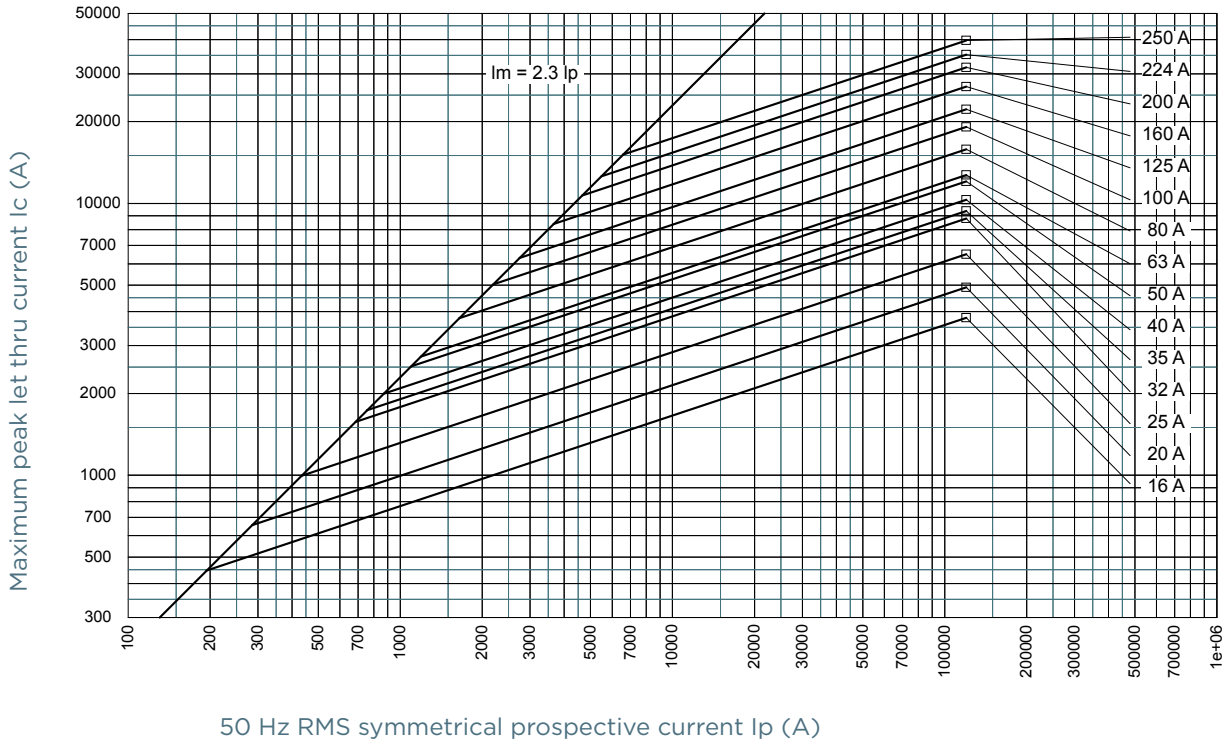


### Size 0

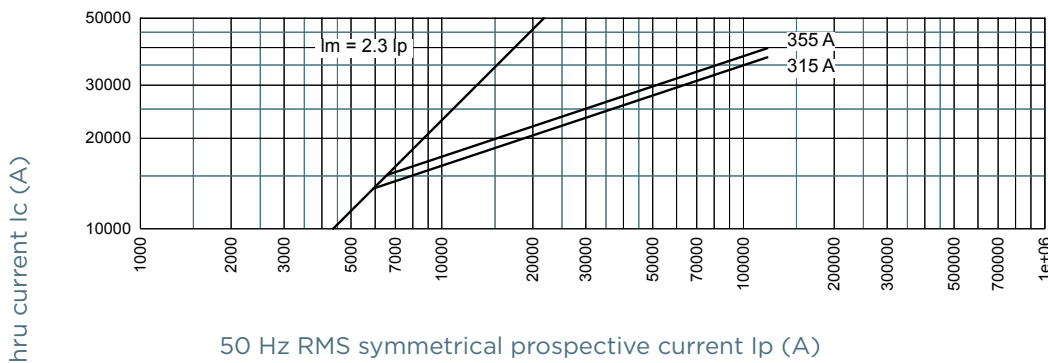


## CUT-OFF CURRENT CHARACTERISTIC

### Size 1



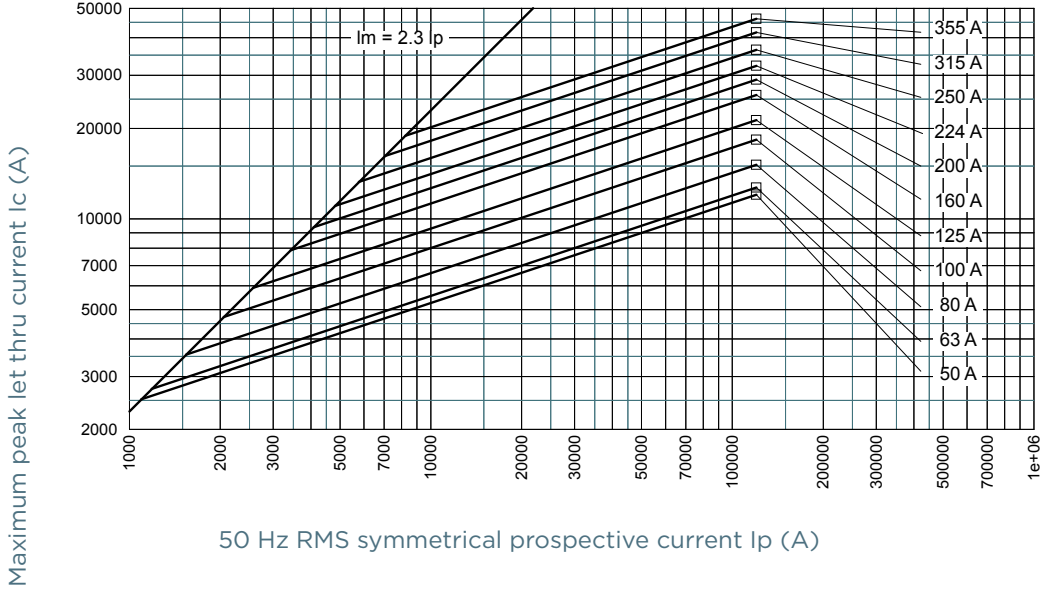
### Size 1



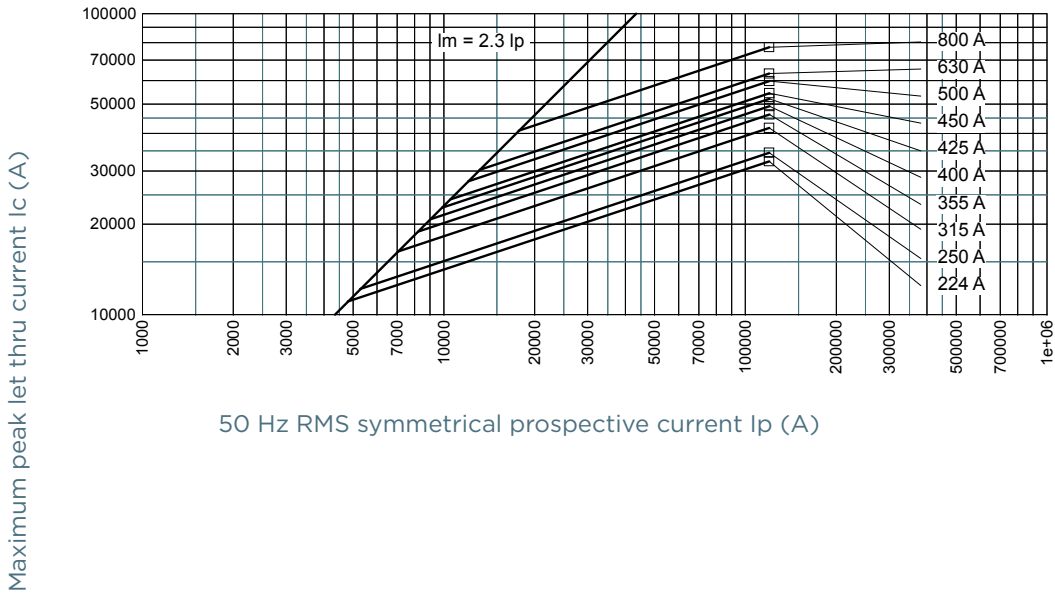


## CUT-OFF CURRENT CHARACTERISTIC

### Size 2

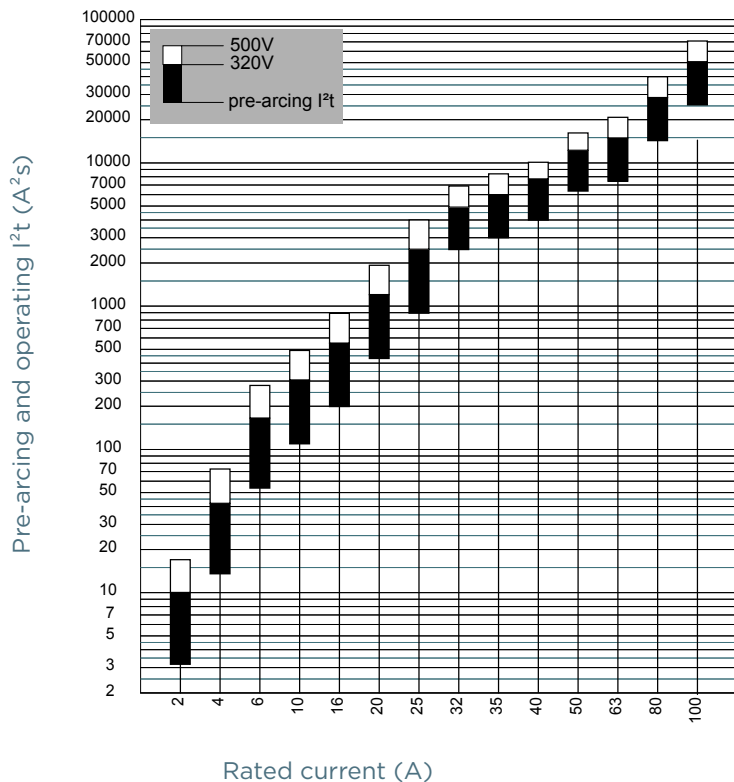


### Size 3

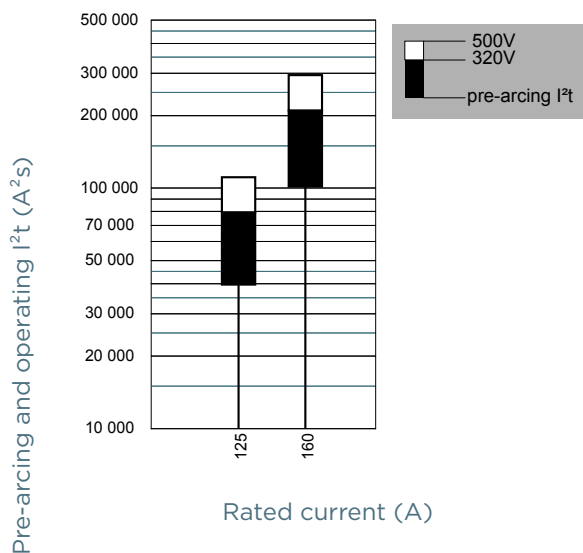


## PRE-ARCING AND OPERATING I<sup>2</sup>t CHARACTERISTICS

### Size 000



### Size 00

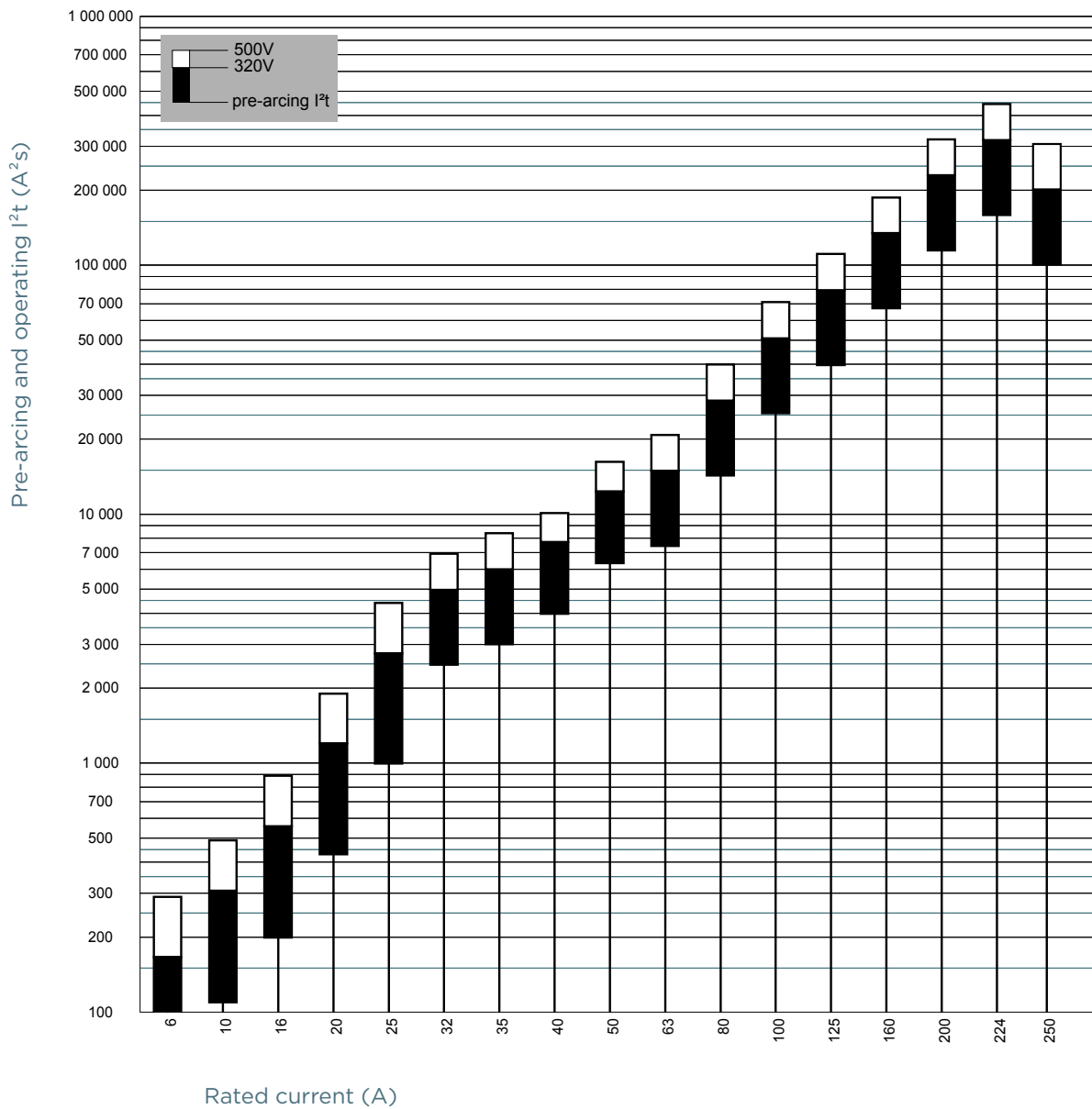


# NH fuse-links gG 500VAC

double indicator/live gripping-lugs size 000, 00, 0, 1, 2, 3

## PRE-ARCING AND OPERATING I<sup>2</sup>t CHARACTERISTICS

Size 0



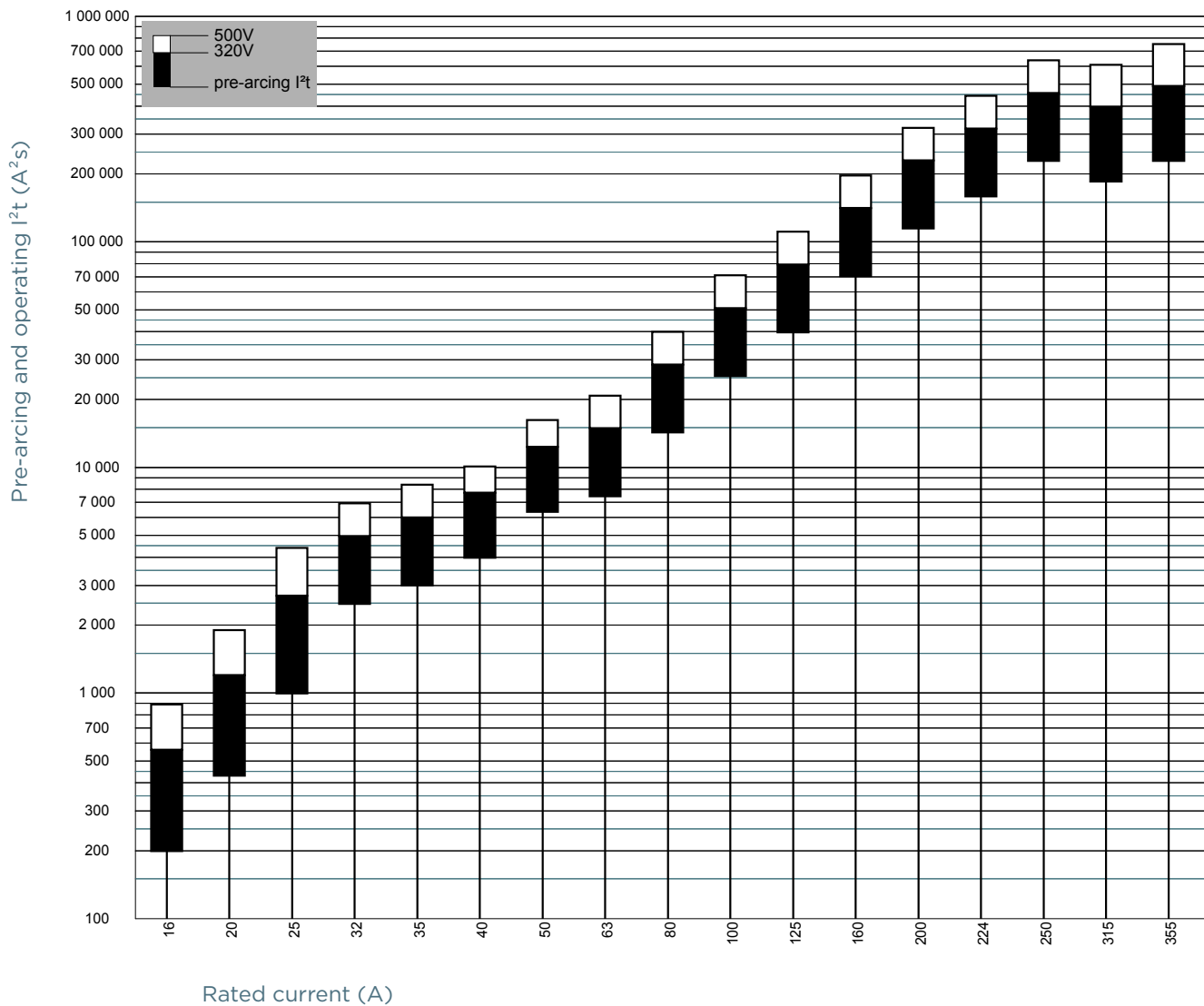
MERSEN reserves the right to change, update or correct, without notice, any information contained in this datasheet.

# NH fuse-links gG 500VAC

double indicator/live gripping-lugs size 000, 00, 0, 1, 2, 3

## PRE-ARCING AND OPERATING I<sup>2</sup>T CHARACTERISTICS

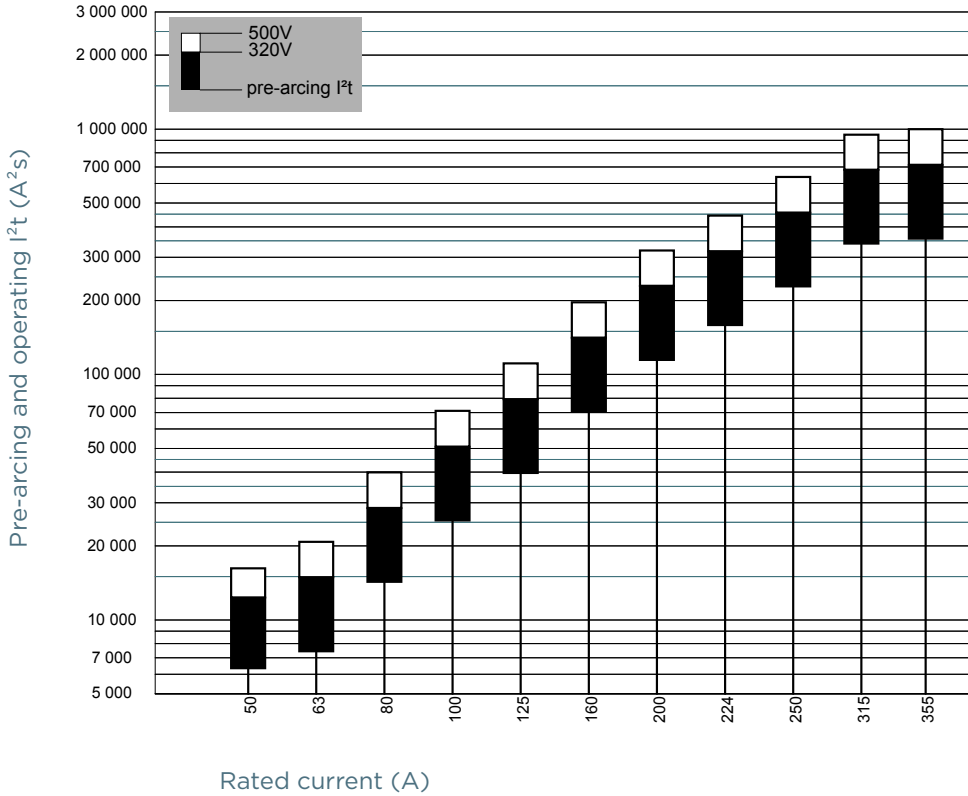
Size 1



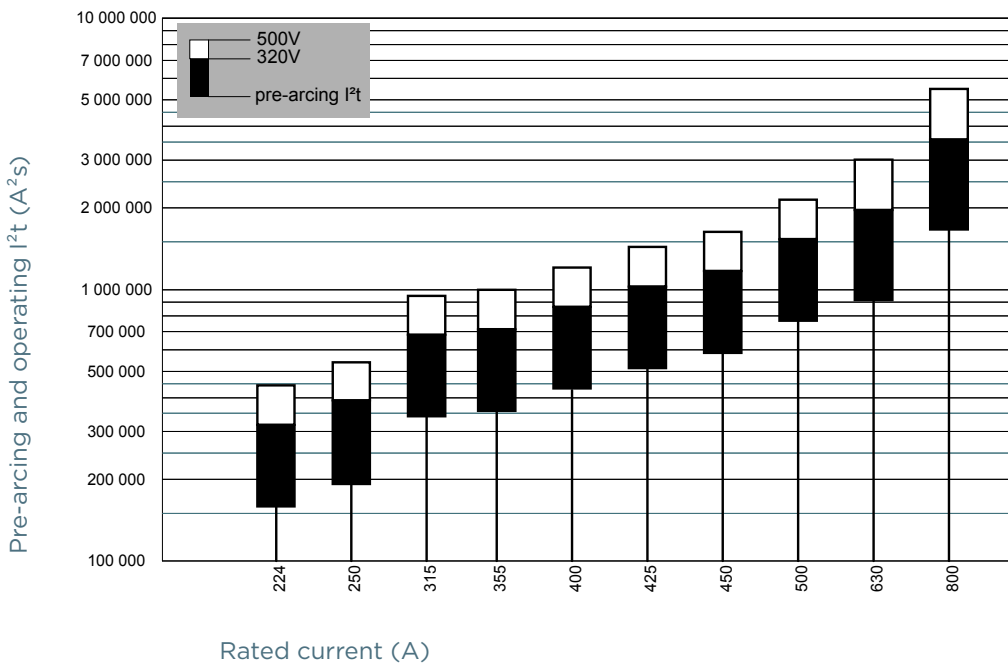
MERSEN reserves the right to change, update or correct, without notice, any information contained in this datasheet.

## PRE-ARCING AND OPERATING I<sup>2</sup>t CHARACTERISTICS

### Size 2



### Size 3

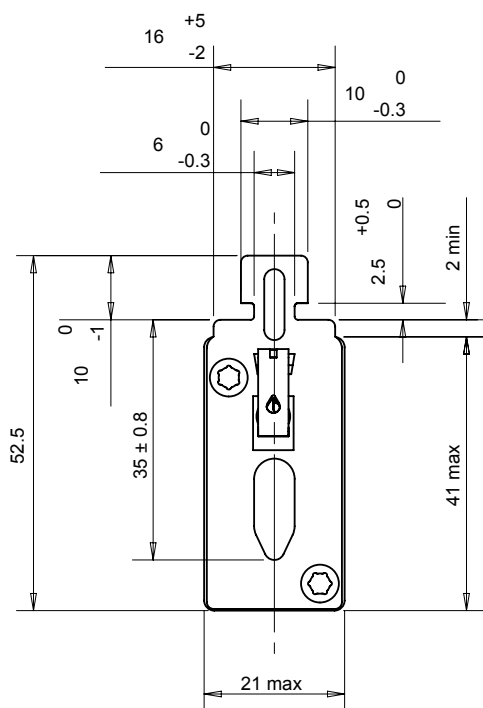
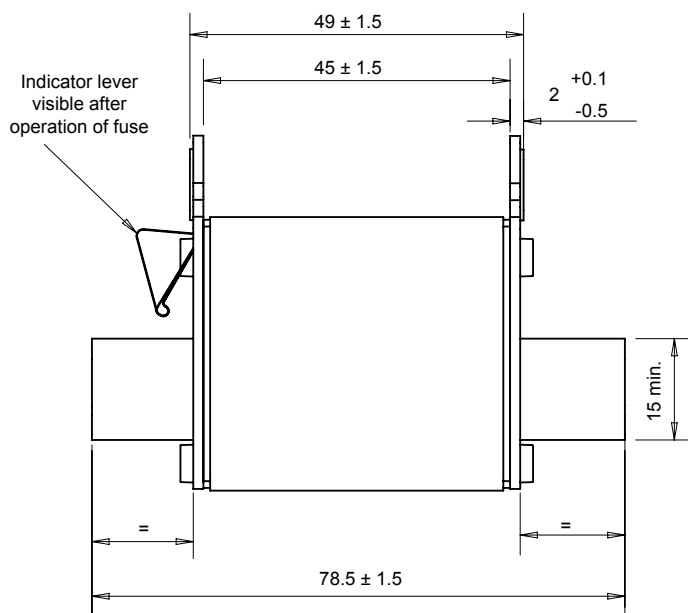


# NH fuse-links gG 500VAC

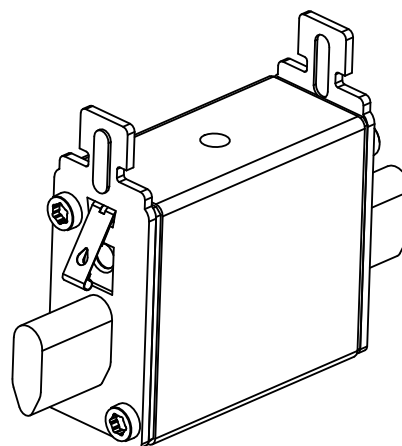
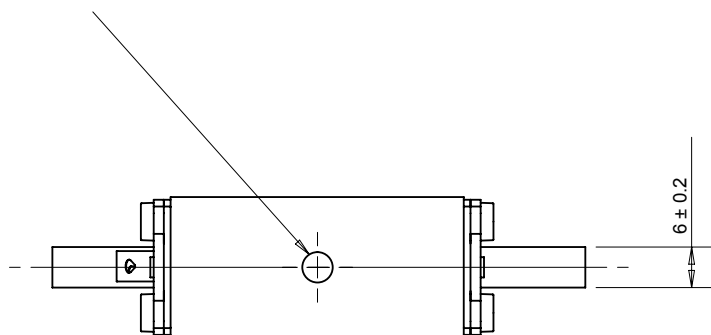
double indicator/live gripping-lugs size 000, 00, 0, 1, 2, 3

## DIMENSIONS

### Size 000 with double indicator



Visibility of red indicator signals conduction of the fuse-link.  
After operation the red indicator is no longer visible



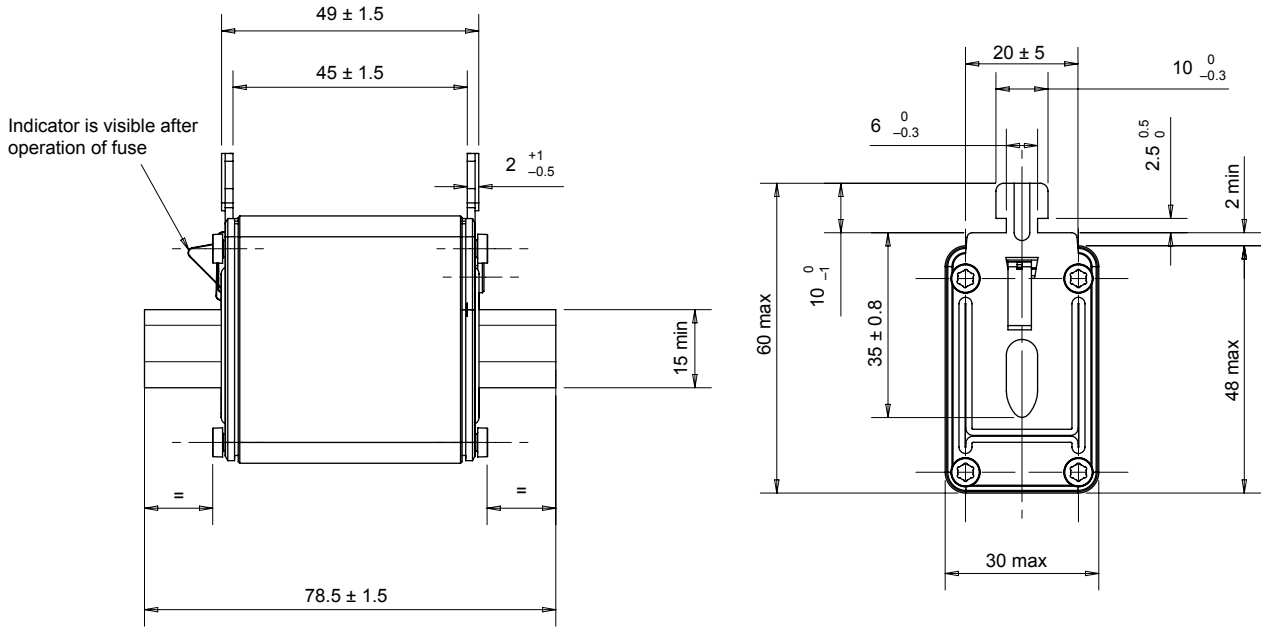
Dimensions in mm

# NH fuse-links gG 500VAC

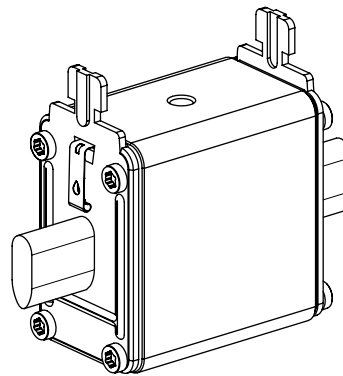
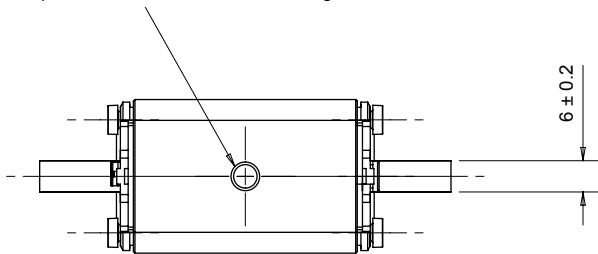
double indicator/live gripping-lugs size 000, 00, 0, 1, 2, 3

## DIMENSIONS

### Size 00 with double indicator



- Visibility of red indicator signals conduction of the fuse-link. After operation the red indicator is no longer visible.



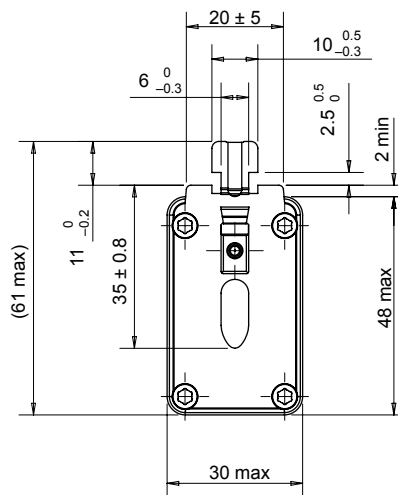
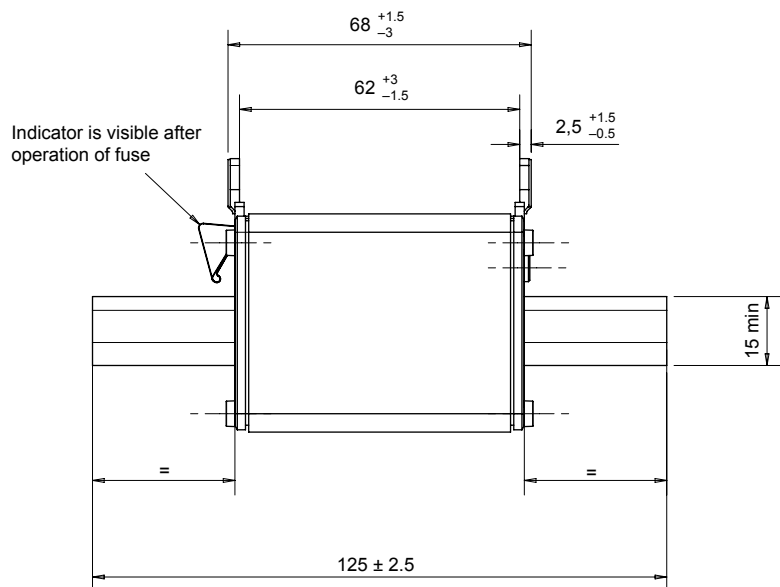
Dimensions in mm

# NH fuse-links gG 500VAC

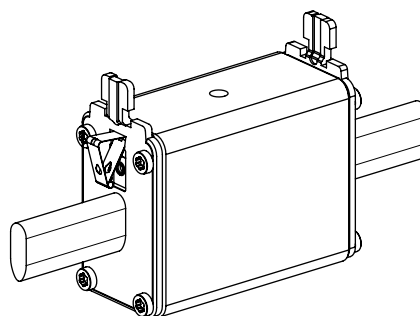
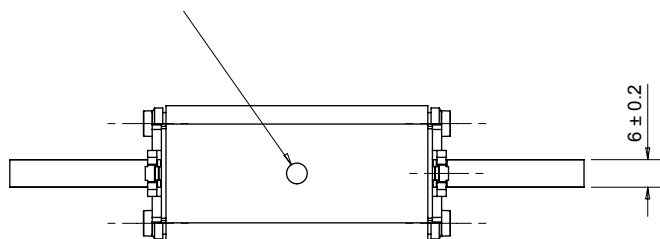
double indicator/live gripping-lugs size 000, 00, 0, 1, 2, 3

## DIMENSIONS

### Size 0 with double indicator



Visibility of red indicator signals conduction of the fuse-link. After operation the red indicator is no longer visible.



Dimensions in mm

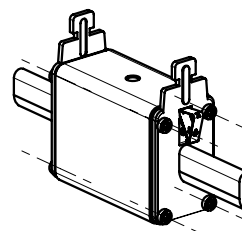
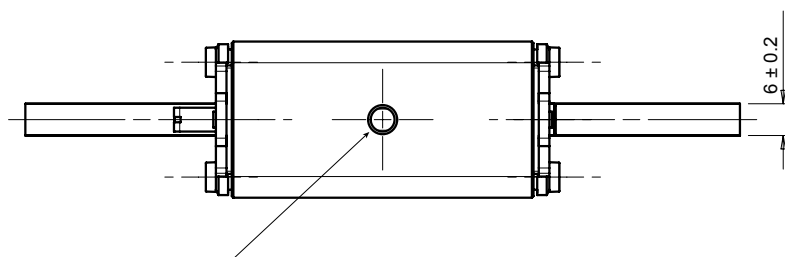
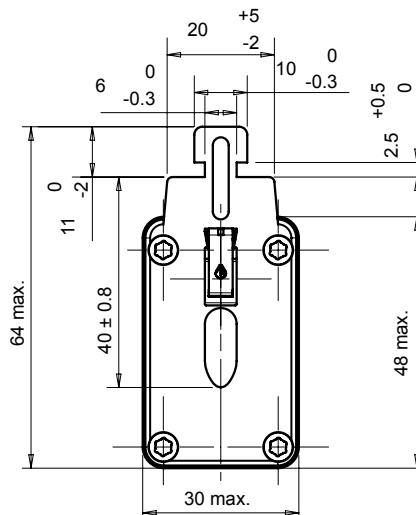
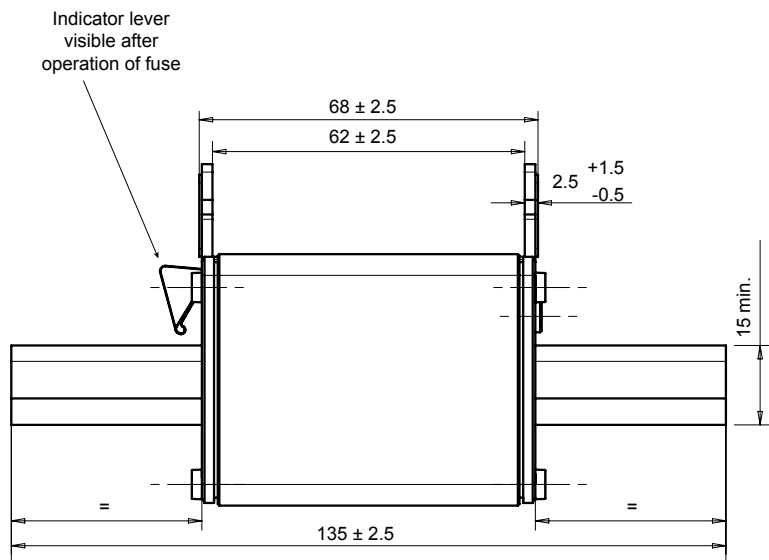


# NH fuse-links gG 500VAC

double indicator/live gripping-lugs size 000, 00, 0, 1, 2, 3

## DIMENSIONS

### Size 1 compact with double indicator (16-100A)



Visibility of red indicator signals conduction of the fuse-link.  
After operation the red indicator is no longer visible

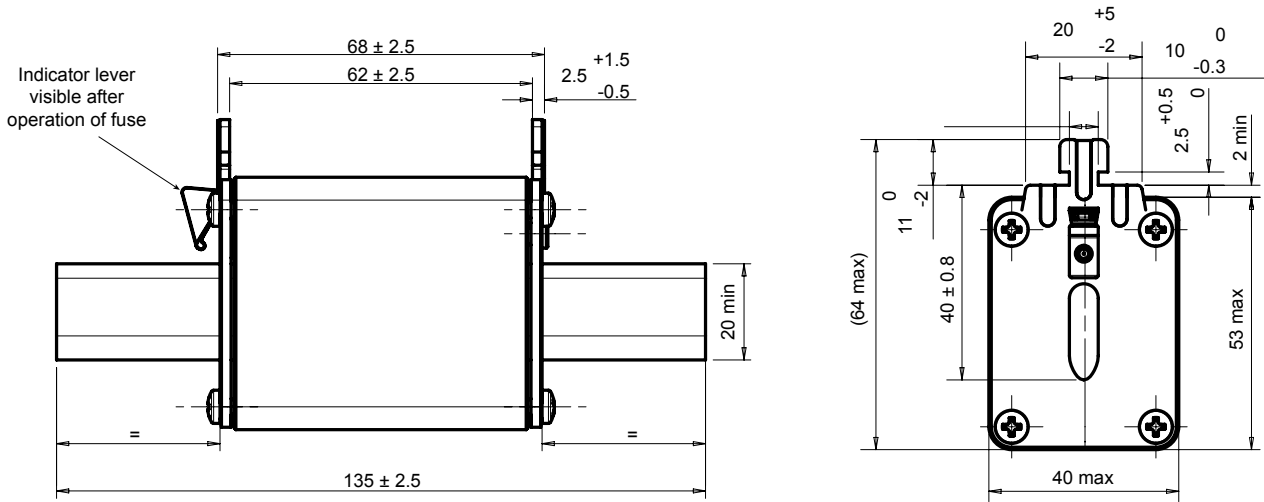
Dimensions in mm

# NH fuse-links gG 500VAC

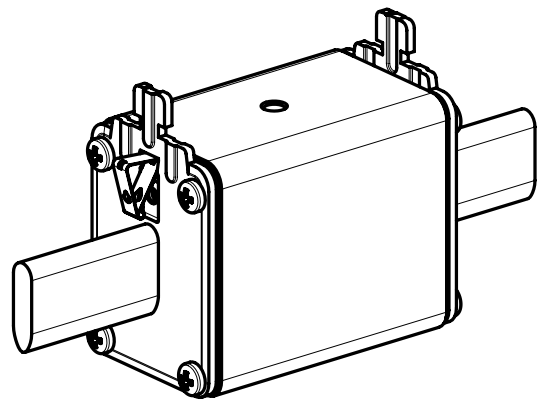
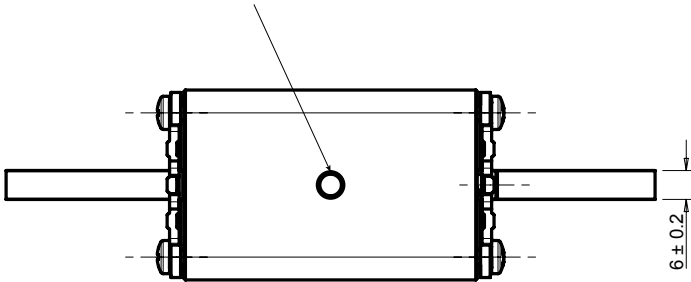
double indicator/live gripping-lugs size 000, 00, 0, 1, 2, 3

## DIMENSIONS

### Size 1 with double indicator (125-355A)



Visibility of red indicator signals conduction of the fuse-link.  
After operation the red indicator is no longer visible



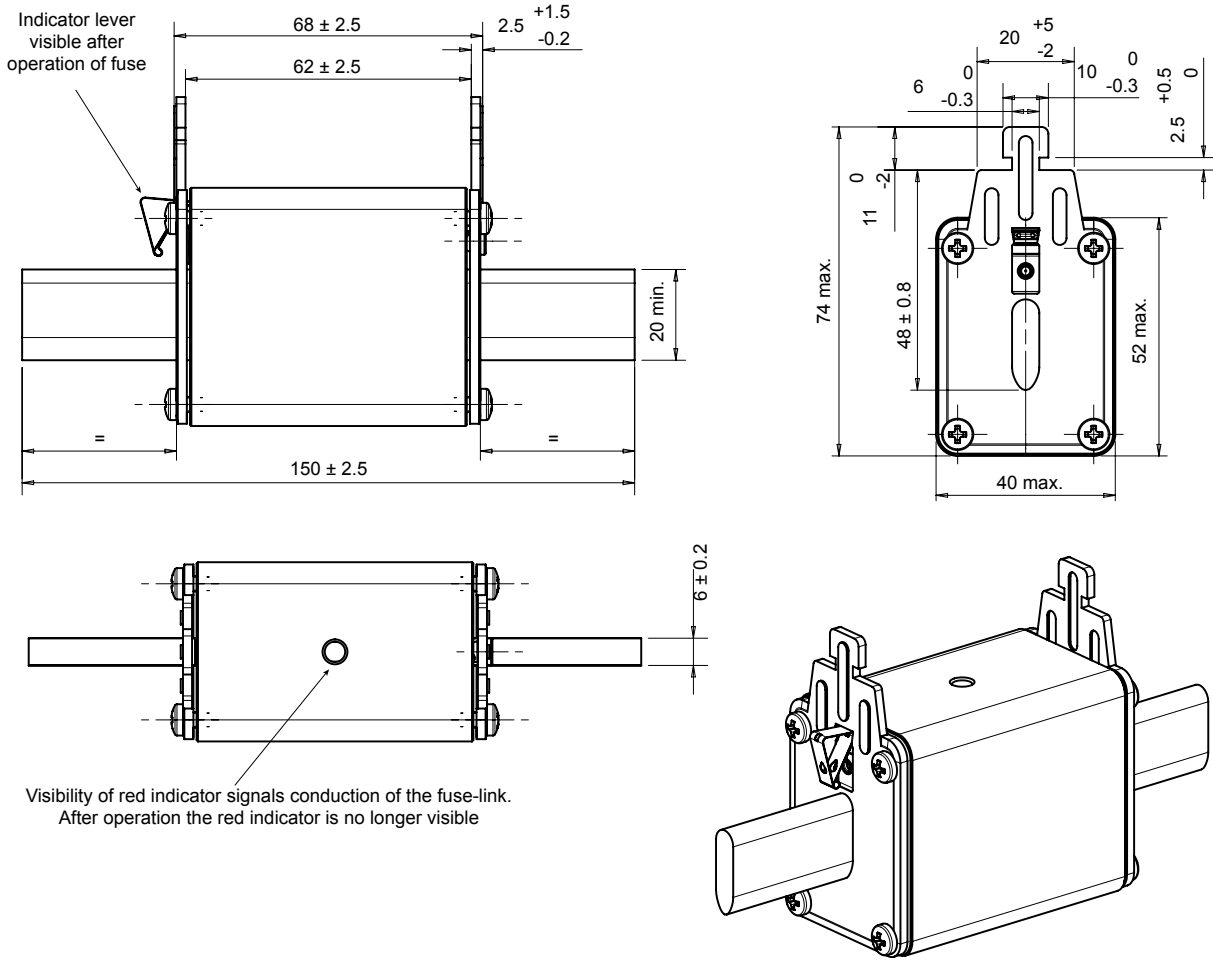
Dimensions in mm

# NH fuse-links gG 500VAC

double indicator/live gripping-lugs size 000, 00, 0, 1, 2, 3

## DIMENSIONS

### Size 2 compact with double indicator (25-250A)



Dimensions in mm

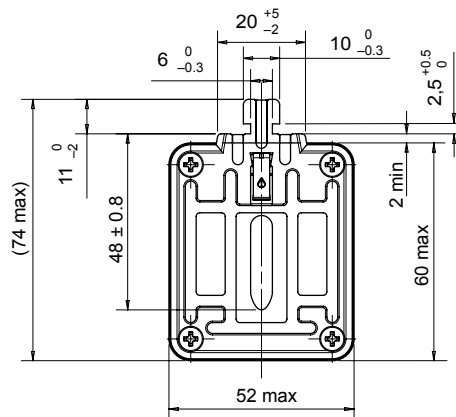
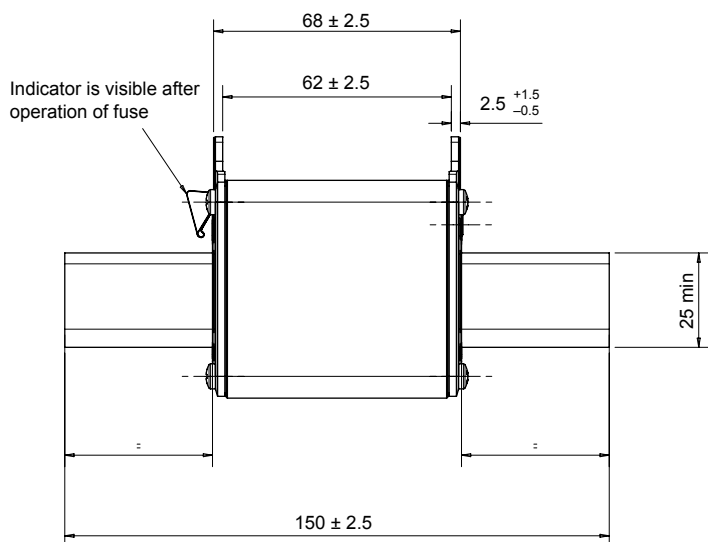
MERSEN reserves the right to change, update or correct, without notice, any information contained in this datasheet.

# NH fuse-links gG 500VAC

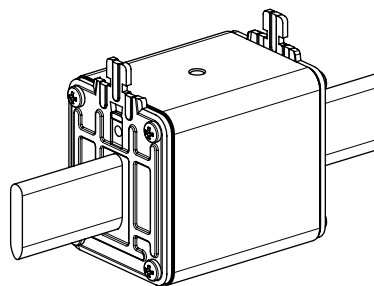
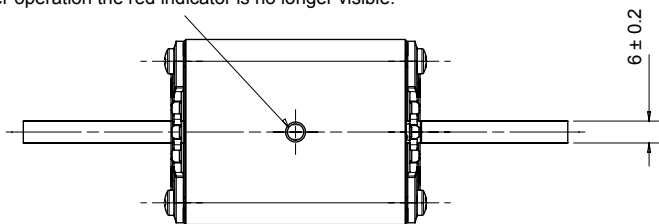
double indicator/live gripping-lugs size 000, 00, 0, 1, 2, 3

## DIMENSIONS

### Size 2 with double indicator (300-500A)



Visibility of red indicator signals conduction of the fuse-link.  
After operation the red indicator is no longer visible.



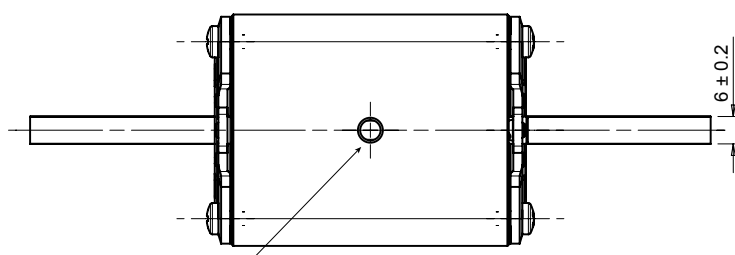
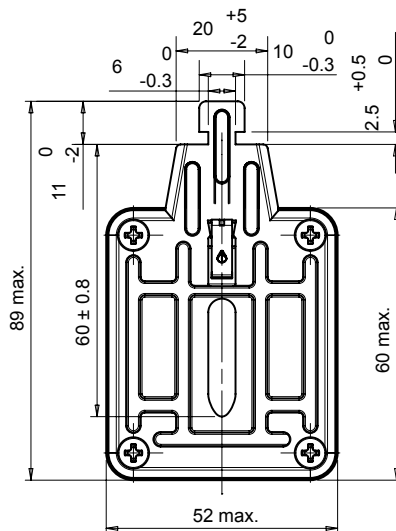
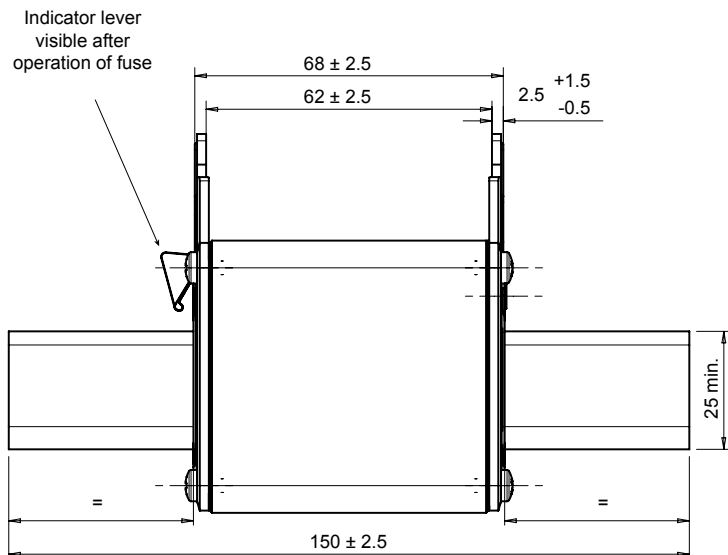
Dimensions in mm

# NH fuse-links gG 500VAC

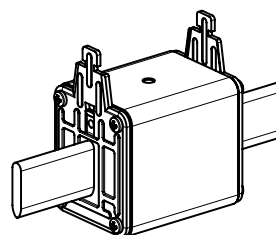
double indicator/live gripping-lugs size 000, 00, 0, 1, 2, 3

## DIMENSIONS

### Size 3 compact with double indicator (224-400A)



Visibility of red indicator signals conduction of the fuse-link.  
After operation the red indicator is no longer visible



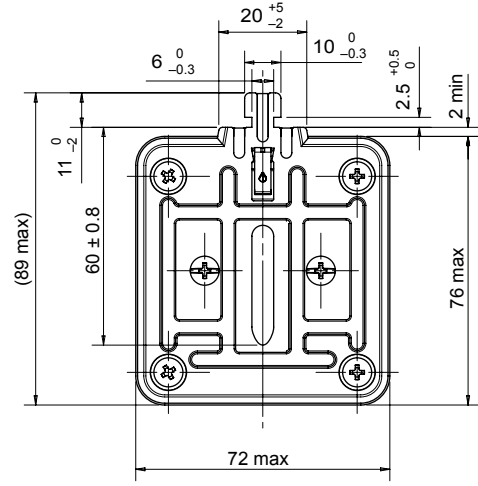
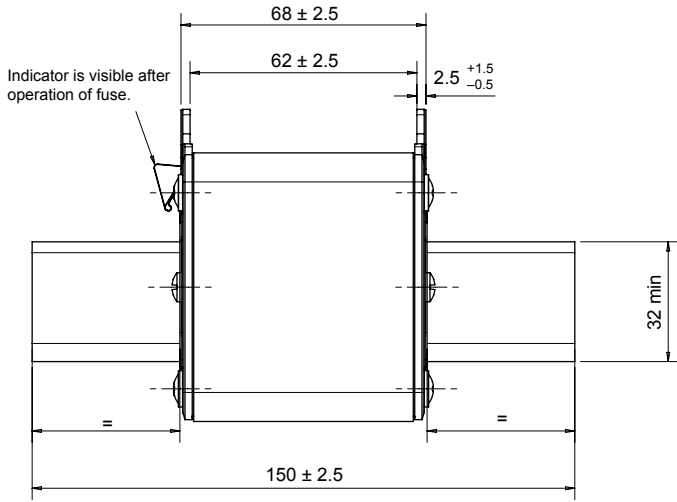
Dimensions in mm

# NH fuse-links gG 500VAC

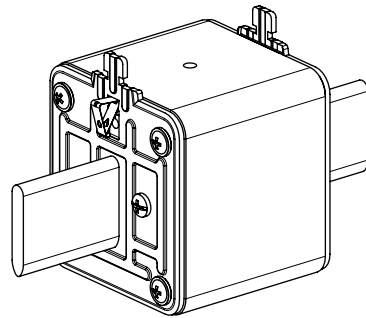
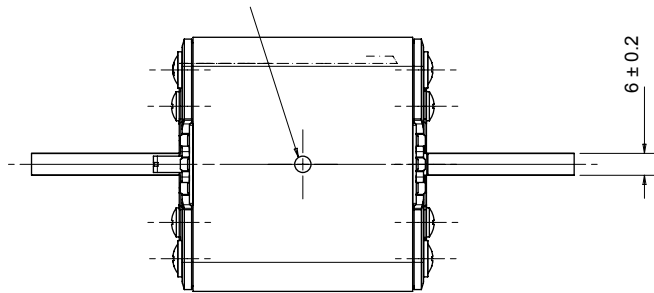
double indicator/live gripping-lugs size 000, 00, 0, 1, 2, 3

## DIMENSIONS

### Size 3 with double indicator (425-800A)



Visibility of red indicator signals conduction of the fuse-link. After operation the red indicator is no longer visible.



Dimensions in mm